

ACCESSORY SETUP INSTRUCTIONS

LH&RH SIDE FRONT DOOR ASSEMBLY-- PN: 5HYV-807300-1000, 5HYV-807400-1000

VALID FOR: 2023 CF1000UU-2

BEFORE YOU BEGIN: Read and understand the instructions before starting any work. Make sure that all parts are ready and that you have all the tools required for assembly.

NOTE: CFMOTO shall not be liable for any damage caused by incorrect assembly. CFMOTO recommends that all original accessories be assembled by an authorized CFMOTO dealer.

Before assembly, park the vehicle on a flat surface, put the transmission gear into Park (P) and turn off the key switch.

Zhejiang CFMOTO Power Co., Ltd. All rights reserved. Reproduction of this document, even in part, as well as copying of all kinds, is permitted only with the express written permission of the copyright owner.

MEANING OF SYMBOLS



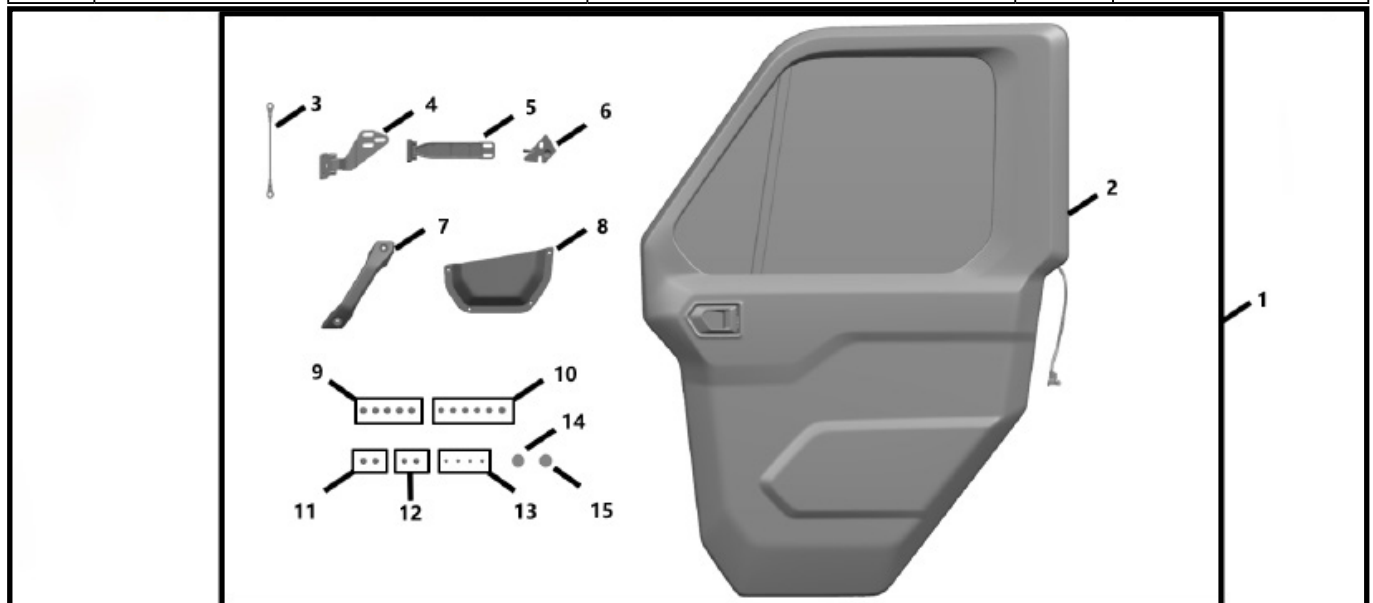
- Indicates information with more details or tips.



- Indicates information of warning or danger.

PARTS LIST:

ITEM	PART NAME	PART NUMBER	QTY.	REMARK
1	LH & RH FRONT DOOR ASSEMBLY	5SYV-807100-6000&5SYV-807200-6000	1&1	
2	LH & RH FRONT DOOR ASSY	5SY0-372000-6000&5SY0-374000-6000	1&1	
3	LIMITING CABLE ASSY	5HY#-372050-1000	1&1	
4	LH & RH REAR UPPER HINGE ASSY	5SY0-375500-6001&5SY0-377500-6001	1&1	
5	LH & RH LOWER TRIPLE CLAMP ASSY	5HY#-374500-1001&5HY#-374600-1001	1&1	
6	LH & RH FRONT FASTENER ASSY	5SY0-372320-6000&5SY0-374320-6000	1&1	
7	LH & RH DOOR INSIDE ARMREST	5SY0-372026-6000&5SY0-374026-6000	1&1	
8	LH & RH FRONT DOOR GLOVE BOX COVER	5SY0-372028-6000&5SY0-374028-6000	1&1	
9	HEXAGON FLANGE BOLT M8×16	30006-080016870	5&5	
10	INNER HEX SUNK SCREW M8×16	30122-080016870	6&6	
11	INNER HEX BOLT M6×20	5BW2-040008-5000	2&2	
12	INNER HEX SCREW	30121-080025160	2&2	
13	SELF-TAPPING SCREW ST4.8×16	6L30-221142	4&4	
14	STEPPING BOLT M6×17	8010-000005	1&1	
15	STEPPING BOLT M6×22	8010-040038	1&1	



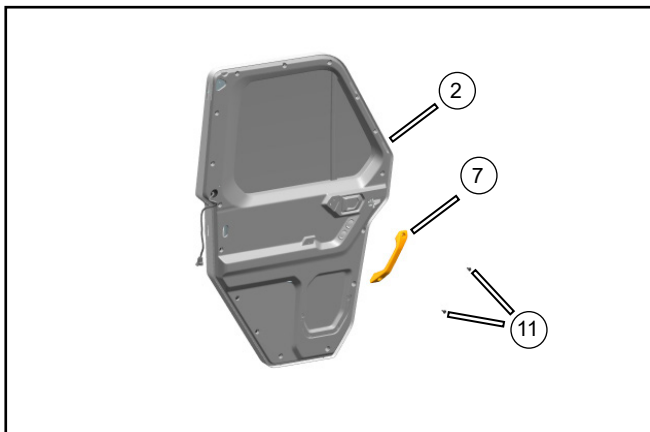


ACCESSORY SETUP INSTRUCTIONS

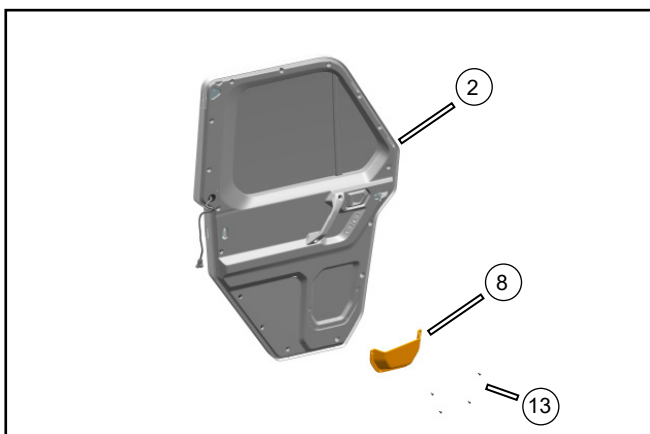
LH &RH SIDE FRONT DOOR ASSEMBLY-- PN: 5HYV-807300-1000, 5HYV-807400-1000
VALID FOR: 2023 CF1000UU-2

TOOL LIST:

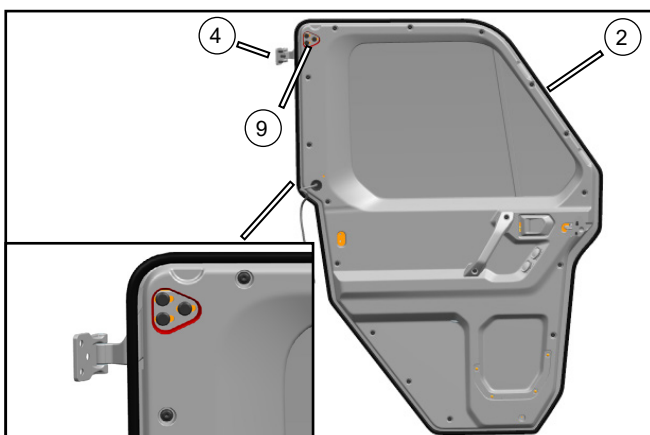
ITEM	DESCRIPTION	PN	QTY.	REMARK
1	HEXAGON KEY 4s	/	1	Recommended tools, which are not included in the package.
2	PHILLIPS SCREWDRIVER	/	1	
3	HEXAGON KEY 6s	/	1	
4	ELECTRIC DRILL	/	1	
5	STAINLESS STEEL DRILL 8mm	/	1	
6	PROTECTIVE GLOVES	/	1	

ASSEMBLY AND INSTALLATION


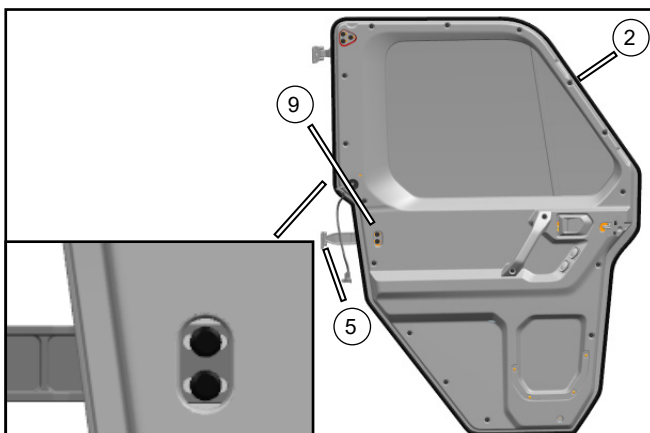
// Use the inner hexagon bolt M6×20 (11) to mount the LH/RH door inside armrest (7) on the LH/RH front door assy (2).



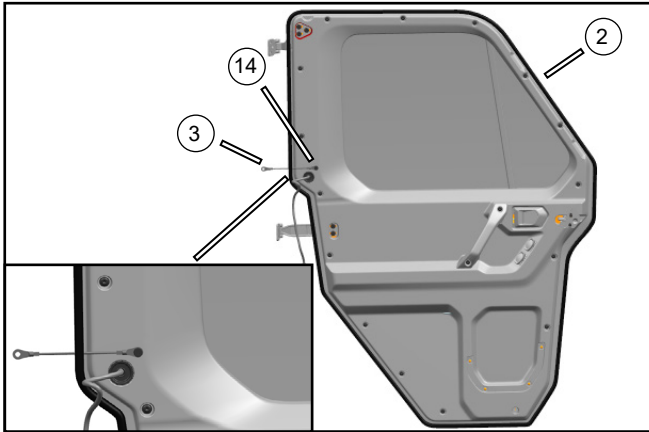
// Use the self-tapping screw ST4.8×16 (13) to mount the LH/RH front door glove box cover (8) on the LH/RH front door assy (2).



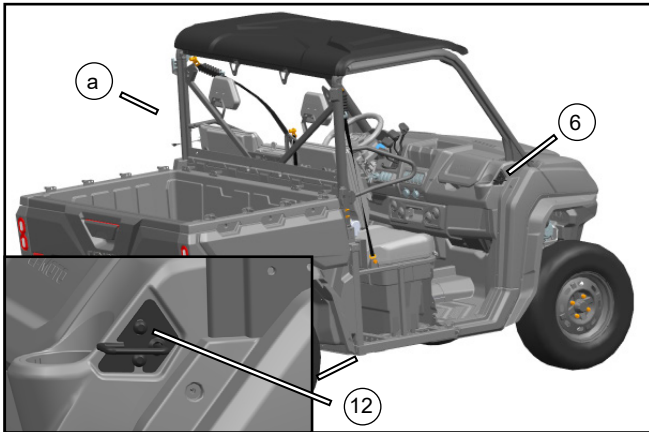
// Finger-tighten the hexagon flange bolt M8×16 (9) to secure the LH/RH rear upper hinge assy (4) on the LH/RH front door assy (2).



// Finger-tighten the hexagon flange bolt M8×16 (9) to secure the LH/RH lower triple clamp assy (5) on the LH/RH front door assy (2).

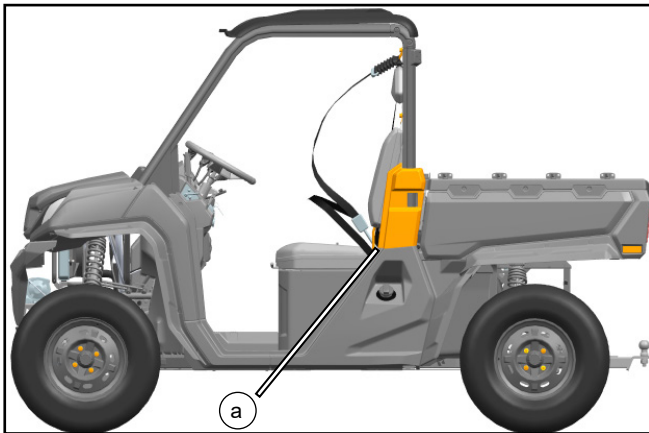
ASSEMBLY AND INSTALLATION


// Use the stepping bolt M6×17 (14) to mount the limiting cable assy (3) on the LH/RH front door assy (2).



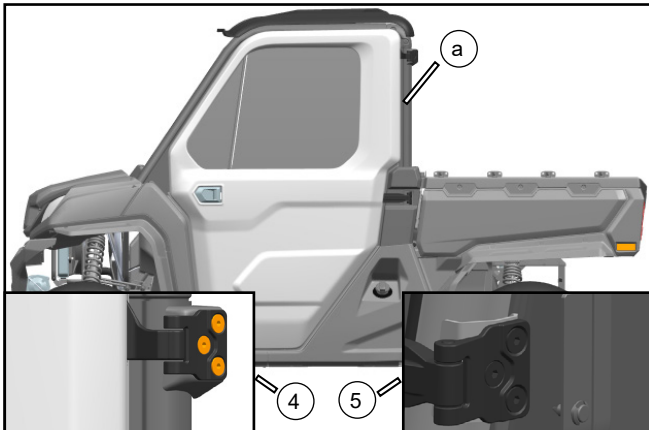
// Use the hexagon screw (12) to mount the LH front door fastener assy (6) on the vehicle body (a).

i The left side assembly as shown, the right side has the same way to assembly. (Drill a hole before mount the lock)



// Remove the plate (a) on the left side.

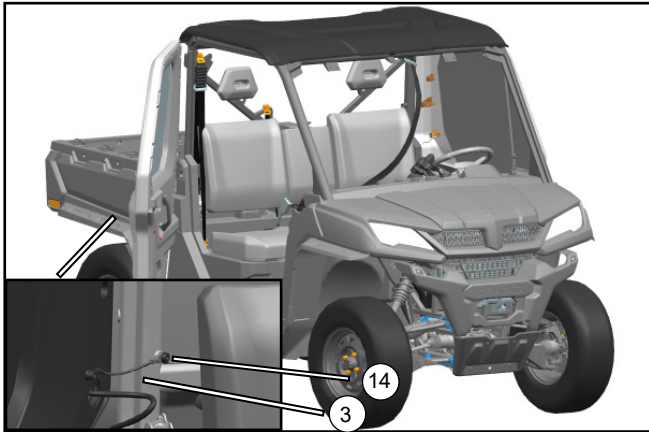
i Both sides share the same method to remove.



// Place the LH/RH door assy in the frame area, pass the lower hinge through the plate (a) hole, secure the bolt of the upper hinge (4) and lower hinge (5), mounting the plate (a) on the vehicle body.

i Both sides share the same method to assemble.

ASSEMBLY AND INSTALLATION



// Open the gate, use the stepping screw M6×17 (14) to mount the limiting cable assy (3) on the frame, and connect the reserve cable plug of the electric lift door and reserve cable plug of the vehicle body.

i Both sides share the same method to assemble.