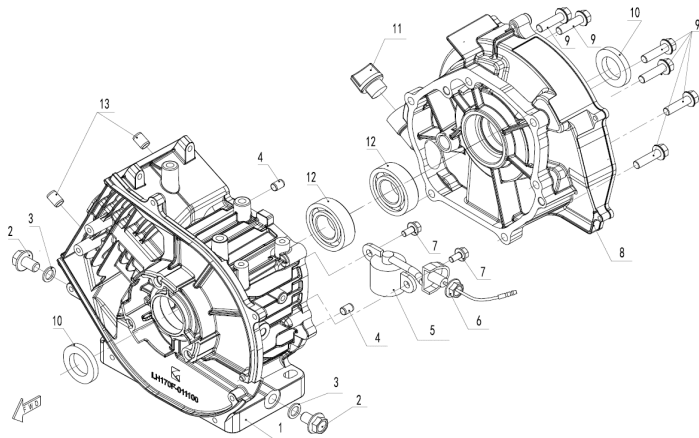


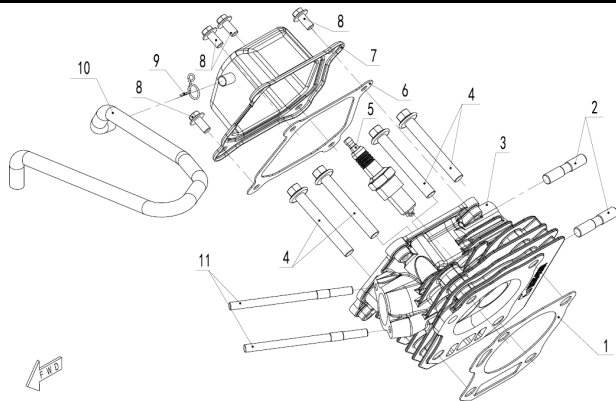
i45 & i45E

F011 Crankcase assy



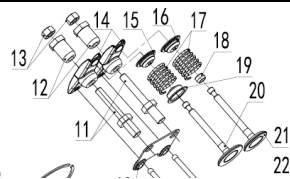
ITEM	CFMOTO PART NUMBER	DESCRIPTION_EN	QTY	REMARK
1	CF-852021-01017	CRANKCASE	1	
2	CF-852021-01018	OIL DRAIN BOLT M10X1.25X15	1	
3	CF-852021-01019	GASKET 10X16X1.5, OIL DRAIN BOLT	1	
4	CF-852021-01020	DOWEL PIN 8X14	2	
5	CF-852021-01021	OIL SENSOR	1	
6	CF-852021-01022	HEX FLANGE BOLT M10X1.25	1	
7	CF-852021-01023	HEX FLANGE BOLT M6X14	2	
8	CF-852021-01024	CRANKCASE COVER	1	
9	CF-852021-01025	HEX FLANGE BOLT M8X30	6	
10	CF-852021-01026	OIL SEAL 25X41.25X6, CRANKSHAFT	2	
11	CF-852021-01027	OIL DIP ROD	1	
12	CF-852021-01028	ROLLING BEARING 6205	2	
13	CF-852021-01029	DOWEL PIN 10X14	2	

F013 Cylinder head assy

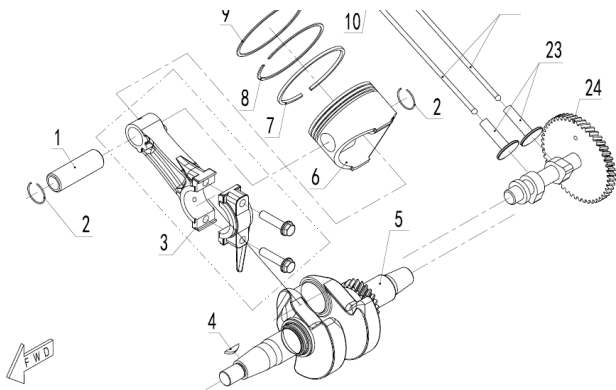


ITEM	CFMOTO PART NUMBER	DESCRIPTION_EN	QTY	REMARK
1	CF-852021-01030	CYLINDER GASKET	1	
2	CF-852021-01031	STUD BOLT, EXHAUST	2	
3	CF-852021-01032	CYLINDER	1	
4	CF-852021-01033	HEX FLANGE BOLT M8X60	4	
5	CF-852021-01034	SPARK PLUG	1	ASRT(TORCH)
6	CF-852021-01035	GASKET, CYLINDER COVER	1	
7	CF-852021-01036	CYLINDER COVER	1	
8	CF-852021-01037	HEX FLANGE BOLT M6X14	4	
9	CF-852021-01038	CLIP Q671810.5	1	
10	CF-852021-01039	ENGINE VENT PIPE	1	
11	CF-852021-01040	STUD BOLT, CARBURETOR	2	

F02 Valve system assy

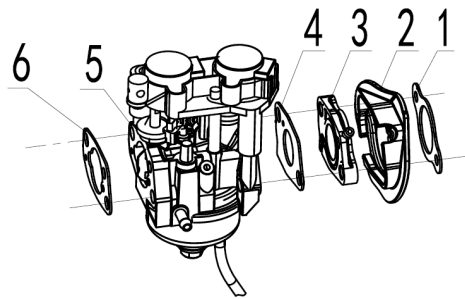


ITEM	CFMOTO PART NUMBER	DESCRIPTION_EN	QTY	REMARK
1	CF-852021-01041	PISTON PIN	1	
2	CF-852021-01042	PISTON PIN CIRCLIP	2	
3	CF-852021-01043	CONNECTING ROD	1	
5	CF-852021-01044	CRANKSHAFT	1	
6	CF-852021-01045	PISTON	1	
7	CF-852021-01046	OIL RING SET	1	
8	CF-852021-01047	1ST PISTON RING	1	



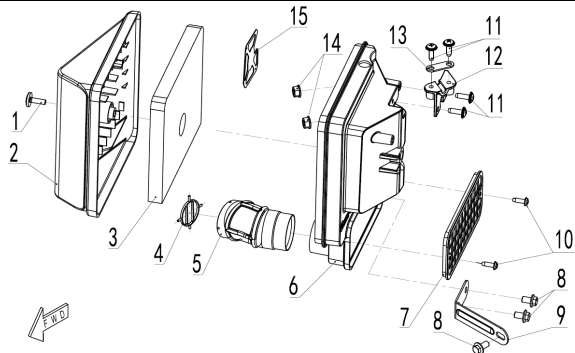
9	CF-852021-01048	2ND PISTON RING	1	
10	CF-852021-01049	LIMIT PLATE, VALVE LIFTER	1	
11	CF-852021-01050	BOLT SHAFT, VALVE ROCKER ARM	2	
12	CF-852021-01051	DOWEL NUT, ROAKER ARM	2	
13	CF-852021-01052	ADJUST NUT, VALVE	2	
14	CF-852021-01053	VALVE ROCKER ARM	2	
15	CF-852021-01054	SPRING RETAINER, INLET VALVE	1	
16	CF-852021-01055	SPRING RETAINER, EXHAUSE VALVE	1	
17	CF-852021-01056	VALVE SRING	2	
18	CF-852021-01057	LIFTER CAP	1	
19	CF-852021-01058	LOWER SEAT, VALVE SPRING (VALVE OIL SEAL	1	
20	CF-852021-01059	INLET VALVE	1	
21	CF-852021-01060	EXHAUST VALVE	1	
22	CF-852021-01061	VALVE LIFTER	2	
23	CF-852021-01062	VALVE TAPPET	2	
24	CF-852021-01063	CAMSHAFT	1	

F9 Carburetor assy



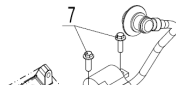
ITEM	CFMOTO PART NUMBER	DESCRIPTION_EN	QTY	REMARK
1	CF-852021-01064	FRONT GASKET, ADAPTOR	1	
2	CF-852021-01065	ADAPTOR SEALING	1	
3	CF-852021-01066	ADAPTOR	1	390mm/pc
4	CF-852021-01067	REAR GASKET, ADAPTOR	1	
5	CF-852021-01068	CARBURETOR	1	45IE
	CF-852021-01069	CARBURETOR	1	45I
6	CF-852021-01070	REAR GASKET, CARBURETOR	1	

F10 Air cleaner assy

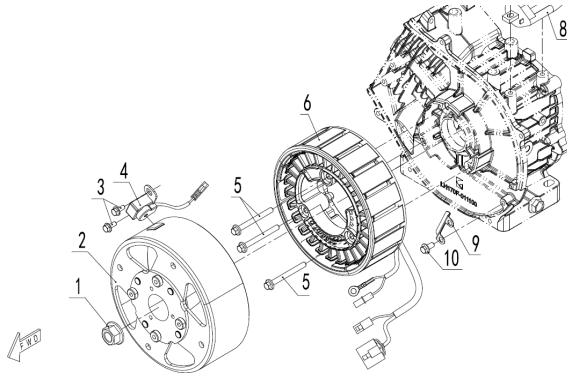


ITEM	CFMOTO PART NUMBER	DESCRIPTION_EN	QTY	REMARK
1	CF-852021-01071	SCREW M6X16	1	
2	CF-852021-01072	AIR FILTER COVER	1	
3	CF-852021-01073	AIR FILTER ELEMENT	1	
5	CF-852021-01074	AIR INLET PIPE, AIR FILTER	1	
6	CF-852021-01075	AIR FILTER BODY	1	
7	CF-852021-01076	REAR COVER, AIR FILTER	1	
8	CF-852021-01077	HEX FLANGE BOLT M6X12	3	
9	CF-852021-01078	SETTING PLATE, AIR FILTER	1	
10	CF-852021-01079	SCREW ST4.2X12	2	
11	CF-852021-01080	SCREW ST5X15	4	LH45I
14	CF-852021-01081	HEX FLANGE NUT M6	2	
15	CF-852021-01082	ELEMENT BAFFLE, AIR FILTER	1	

F31 Electrical generating assy

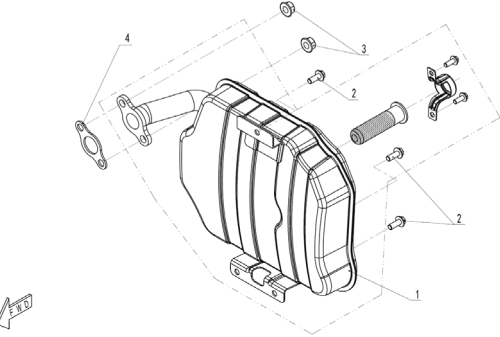


ITEM	CFMOTO PART NUMBER	DESCRIPTION_EN	QTY	REMARK
1	CF-852021-01083	HEX FLANGE NUT M14X1.5	1	
2	CF-852021-01084	ROTOR	1	45I
	CF-852021-01085	ROTOR	1	45IE



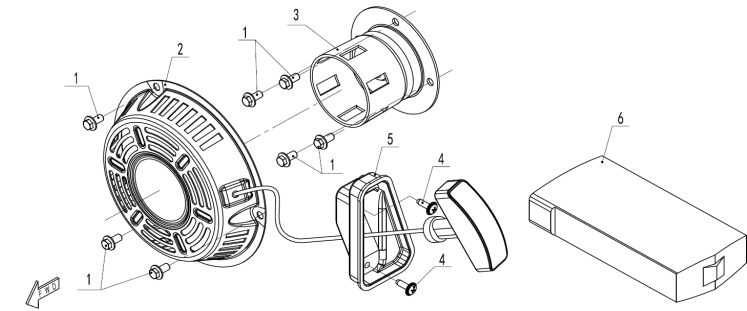
3	CF-852021-01086	HEX FLANGE BOLT M6X12	2	
4	CF-852021-01087	PICKUP COIL	1	
5	CF-852021-01088	HEX FLANGE BOLT M6X60	3	
6	CF-852021-01089	STATOR 230V	1	AU/KR/CN/EU
	CF-852021-01090	STATOR 120V	1	US/CAN
7	CF-852021-01091	HEX FLANGE BOLT M6X20	7	
8	CF-852021-01092	IGNITION COIL	1	
9	CF-852021-01093	PRESSING LINE PLATE	1	
10	CF-852021-01094	HEX FLANGE BOLT M5X12	1	

F32 Exhaust system assy



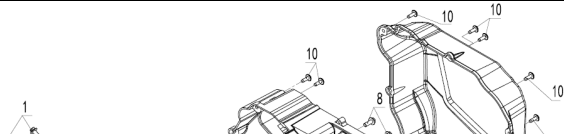
ITEM	CFMOTO PART NUMBER	DESCRIPTION_EN	QTY	REMARK
1	CF-852021-01095	MUFFLER	1	
2	CF-852021-01096	HEX FLANGE BOLT M6X12	3	
3	CF-852021-01097	HEX FLANGE NUT M8	2	
4	CF-852021-01098	SEAL GASKET, EXHAUSE	1	

F33 Starting system assy



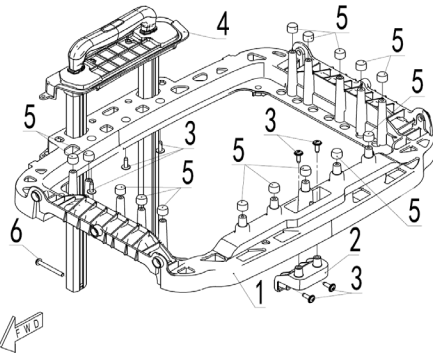
ITEM	CFMOTO PART NUMBER	DESCRIPTION_EN	QTY	REMARK
1	CF-852021-01099	HEX FLANGE BOLT M6X12	7	
2	CF-852021-01100	RECOIL STARTER DISC	1	
3	CF-852021-01101	RECOIL STARTER DRIVE DISC	1	
4	CF-852021-01102	SCREW ST5X15	2	
5	CF-852021-01103	LIMIT PLATE, RECOIL STARTER HANDLEBAR	1	
6	CF-852021-01104	BATTERY	1	45IE

F35 Cooling system assy



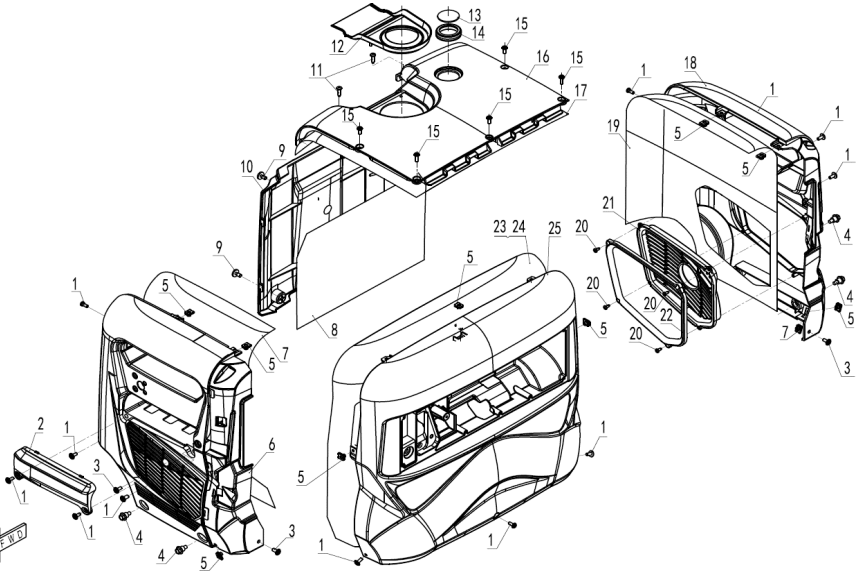
ITEM	CFMOTO PART NUMBER	DESCRIPTION_EN	QTY	REMARK
1	CF-852021-01105	HEX FLANGE BOLT M6X20	7	
2	CF-852021-01106	FRONT AIR INLET COVER	1	
3	CF-852021-01107	FRONT FAN	1	
4	CF-852021-01108	REAR FAN	1	
5	CF-852021-01109	A LEVEL GASKET 8	1	

F38 Outer cover assy



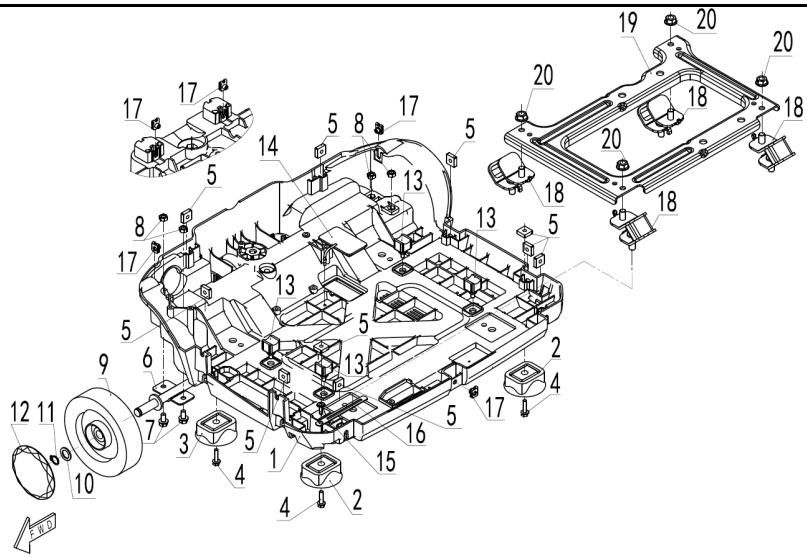
ITEM	CFMOTO PART NUMBER	DESCRIPTION_EN	QTY	REMARK
1	CF-852021-01204	MOUNTING BRACKET	1	
2	CF-852021-01205	CONNECTING SEAT	1	
3	CF-852021-01206	SCREW ST5X15	7	
4	CF-852021-01207	TELESCOPE HANDLE ASSY	1	
5	CF-852021-01208	ABSORB RUBBER CAP	15	
6	CF-852021-01209	SCREW M5X40	2	

F38 Outer cover assy



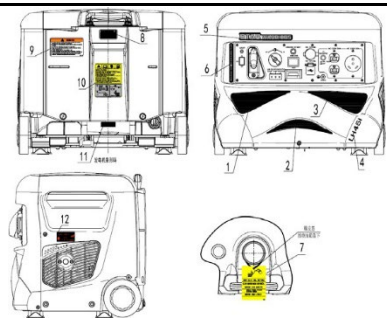
ITEM	CFMOTO PART NUMBER	DESCRIPTION_EN	QTY	REMARK
1	CF-852021-01210	SCREW M5X12	10	
2	CF-852021-01211	BATTERY COVER BLACK	1	
	CF-852021-01212	BATTERY COVER WHITE	1	blue
	CF-852021-01213	BATTERY COVER DARK GREY	1	grey
3	CF-852021-01214	SCREW M6X12	3	
4	CF-852021-01215	STEP BOLT M6X16	4	
5	CF-852021-01216	CLIP NUT M5	4	
6	CF-852021-01217	AIR INLET PLASTIC HOUSING BLACK	1	
	CF-852021-01218	AIR INLET PLASTIC HOUSING WHITE	1	blue
	CF-852021-01219	AIR INLET PLASTIC HOUSING YELLOW	1	
	CF-852021-01220	AIR INLET PLASTIC HOUSING DARK GREY	1	grey
9	CF-852021-01221	BOLT M6X13	2	
10	CF-852021-01222	REAR PLASTIC COVER BLACK	1	
	CF-852021-01223	REAR PLASTIC COVER WHITE	1	blue
	CF-852021-01224	REAR PLASTIC COVER YELLOW	1	
	CF-852021-01225	REAR PLASTIC COVER DARK GREY	1	grey
11	CF-852021-01226	SCREW ST4.2X13	10	
12	CF-852021-01227	RUBBER GASKET, FUEL FILLING PORT	1	
13	CF-852021-01228	FUEL GAUGE WINDOW	1	
14	CF-852021-01229	LOCATING BUSH, FUEL GAUGE WINDOW	1	
15	CF-852021-01230	SCREW M5X15	5	
16	CF-852021-01231	TOP PLASTIC HOUSING BLACK	1	
	CF-852021-01232	TOP PLASTIC HOUSING WHITE	1	blue
	CF-852021-01233	TOP PLASTIC HOUSING DARK GREY	1	grey
18	CF-852021-01234	EXHAUST PLASTIC HOUSING BLACK	1	
	CF-852021-01235	EXHAUST PLASTIC HOUSING WHITE	1	blue
	CF-852021-01236	EXHAUST PLASTIC HOUSING YELLOW	1	
	CF-852021-01237	EXHAUST PLASTIC HOUSING DARK GREY	1	grey
20	CF-852021-01238	SCREW ST3.5X9.5	4	
21	CF-852021-01239	EXHAUST COVER BLACK	1	
	CF-852021-01240	EXHAUST COVER WHITE	1	blue
	CF-852021-01241	EXHAUST COVER DARK GREY	1	grey
22	CF-852021-01242	SEAL	1	
25	CF-852021-01243	LEFT PLASTIC HOUSING BLACK	1	
	CF-852021-01244	LEFT PLASTIC HOUSING WHITE	1	blue
	CF-852021-01245	LEFT PLASTIC HOUSING YELLOW	1	
	CF-852021-01246	LEFT PLASTIC HOUSING DARK GREY	1	grey

F39 Base plate assy



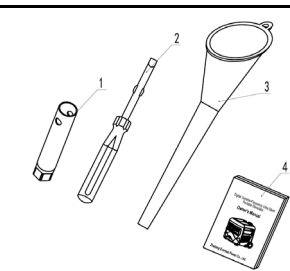
ITEM	CFMOTO PART NUMBER	DESCRIPTION_EN	QTY	REMARK
1	CF-852021-01247	BOTTOM PLATE	1	
2	CF-852021-01248	GENERATOR SUPPORT SEAT A	2	
3	CF-852021-01249	GENERATOR SUPPORT SEAT B	2	
4	CF-852021-01250	HEX FLANGE BOLT M6X18	4	
5	CF-852021-01251	SQUARE NUT M6	12	
6	CF-852021-01252	WHEEL BRACKET	1	
7	CF-852021-01253	HEX FLANGE BOLT M6X12	2	
8	CF-852021-01254	HEX NUT M6	4	
9	CF-852021-01255	WHEEL	2	
10	CF-852021-01256	GASKET 12 (THICKNESS 1.5)	2	
11	CF-852021-01257	SHAFT CIRCLIP 12	2	
12	CF-852021-01258	WHEEL COVER	2	
13	CF-852021-01259	AUX SUPPORT PAD	4	
14	CF-852021-01260	RUBBER GASKET, OIL DRAIN PORT	1	
15	CF-852021-01261	SCREW ST5X15	1	
16	CF-852021-01262	LEFT SEALING, INVERTER MODULE	1	
17	CF-852021-01263	CLIP NUT M5	4	
18	CF-852021-01264	ENGINE SUPPORT SEAT	4	
19	CF-852021-01265	ENGINE MOUNTING BRACKET	1	
20	CF-852021-01266	HEX FLANGE NUT M8	4	

F40 Sticker location



ITEM	CFMOTO PART NUMBER	DESCRIPTION_EN	QTY	REMARK
	CF-852021-01267	DECALS SET	1	blue

F42 Accessory



ITEM	CFMOTO PART NUMBER	DESCRIPTION_EN	QTY	REMARK
	CF-852021-01268	ACCESSORY SET	1	
1	CF-852021-01269	SPARK PLUG SOCKET	1	
2	CF-852021-01270	SCREWDRIVER	1	
3	CF-852021-01271	FUNEL	1	
4	CF-852021-01272	MANUAL	1	
5	CF-852021-01273	REMOTE CONTROL SET	1	45IE
6	CF-852021-01274	JUMP LEAD	1	45IE