

# ACCESSORY SETUP INSTRUCTION

**REAR WINDSHIELD ASSEMBLY -- PN: 5SYV-805200-1002**  
**VALID FOR: MY19-24 UFORCE 1000&UFORCE 1000 XL**

**BEFORE YOU BEGIN:** Read and understand the instructions before starting any work. Make sure that all parts are ready and that you have all the tools required for assembly.

**NOTE:** CFMOTO shall not be liable for any damage caused by incorrect assembly. CFMOTO recommends that all original accessories be assembled by an authorized CFMOTO dealer.

Before assembly, park the vehicle on a flat surface, put the transmission gear into Park (P) and turn off the key switch.

**Zhejiang CFMOTO Power Co., Ltd.** All rights reserved. Reproduction of this document, even in part, as well as copying of all kinds, is permitted only with the express written permission of the copyright owner.

## MEANING OF SYMBOLS



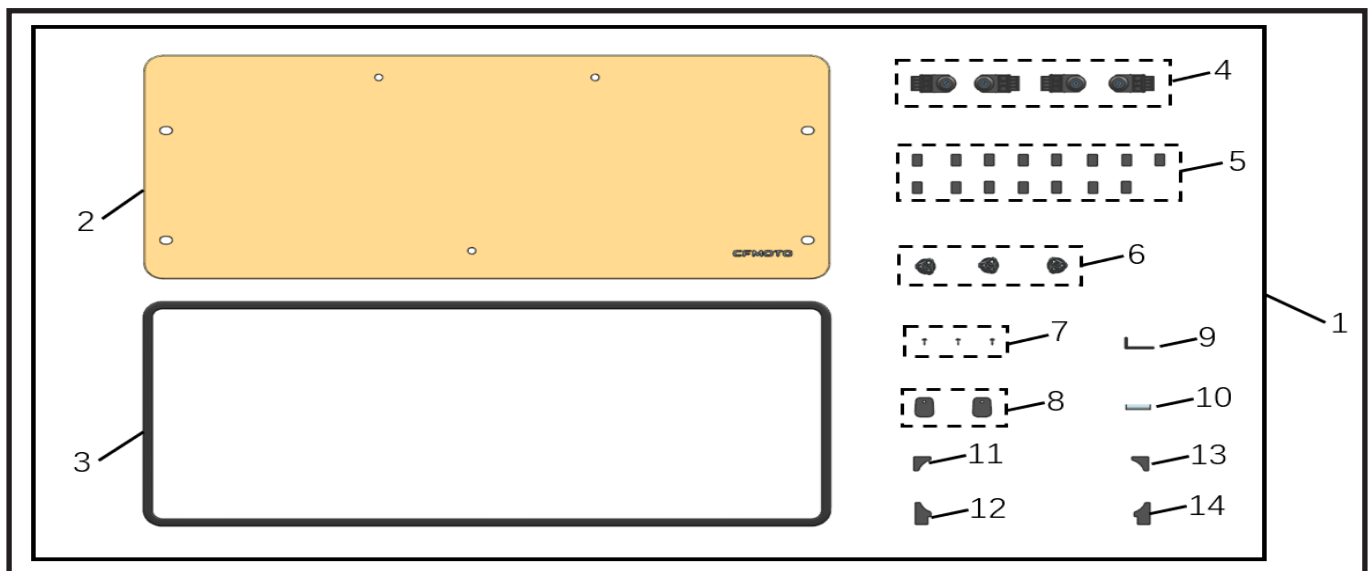
- Indicates information with more details or tips.



- Indicates information of warning or danger.

## PARTS LIST:

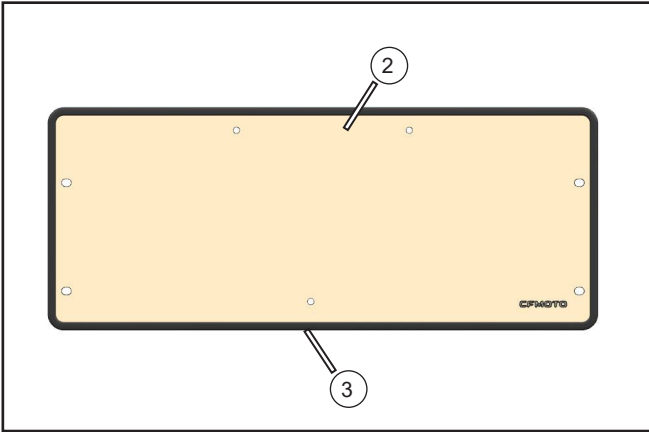
ITEM	PART NAME	PART NUMBER	QTY.	DISCRIPTION
1	REAR WINDSHIELD ASSEMBLY	5SYV-805200-1001	1	For structure reference only
2	REAR WINDSHIELD	5SYV-805211-1001	1	
3	DAMPING RUBBER STRAP	5SYV-805200-1000-20	1	
4	CIRCLIP	5ASV-804100-6000	4	
5	SPONGE STRAP	6KM#-040066-8000	15	
6	GLASS FASTENER ASSY	5SY0-371400-6000	3	
7	SELF-TAPPING SCREW $\phi 4.8 \times 16$	5SYV-805200-1000-25	3	
8	REAR WINDSHIELD SHEET MENTAL	5SYV-805212-1001	2	
9	HEXAGON KEY T25	5SYV-805200-1000-24	1	
10	THREADLOCKER	5SYV-805200-1000-23	1	
11	DRIVER SIDE UPPER SEAL FOAM	5SYV-805213-1002	1	
12	DRIVER SIDE LOWER SEAL FOAM	5SYV-805215-1002	1	
13	PASSENGER SIDE UPPER SEAL FOAM	5SYV-805214-1002	1	
14	PASSENGER SIDE LOWER SEAL FOAM	5SYV-805216-1002	1	



# TOOL LIST:

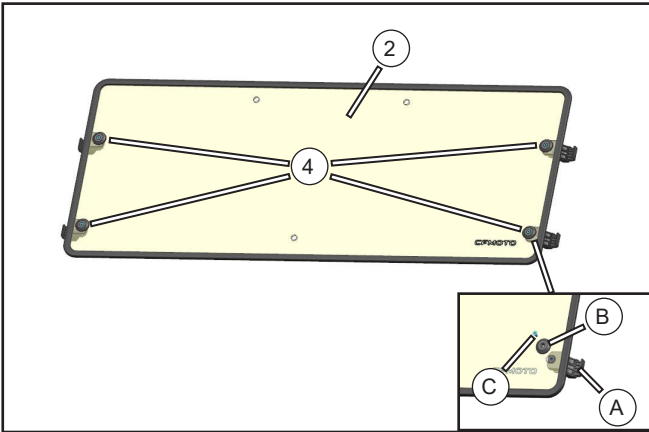
ITEM	DESCRIPTION	QTY.	DISCRIPTION
1	PROTECTIVE GLOVES	1	Recommended tools, which are not included in the package.
2	OPEN-END WRENCH S10	1	
3	PHILLIPS SCREWDRIVER	1	

## ASSEMBLY and INSTALLATION



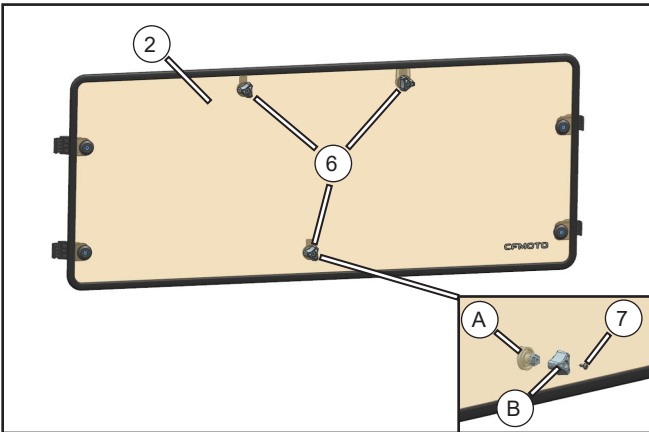
// Install the damping rubber strap (3) into rear windshield (2).

**i** Rip off protective film on the surface.



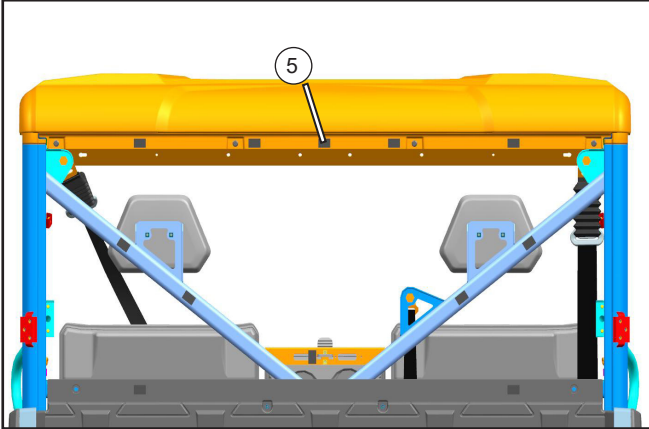
// Place the rear windshield (2) on the operating table, install four circlips (4) orderly. Finger-tighten the washer (B) and screw (C) after put into the clamp (A).

**i** Apply the threadlocker.

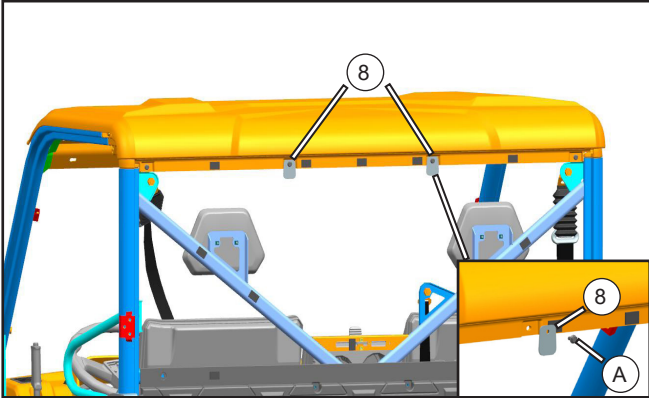


// Install the glass fastener assy (6) into the rear windshield (2) assembly position. Place the base (A) after, install the knob (B) and self-tapping  $\phi 4.8 \times 16$  screw (7) orderly. Secure them with phillips screwdriver.

**ASSEMBLY and INSTALLATION**



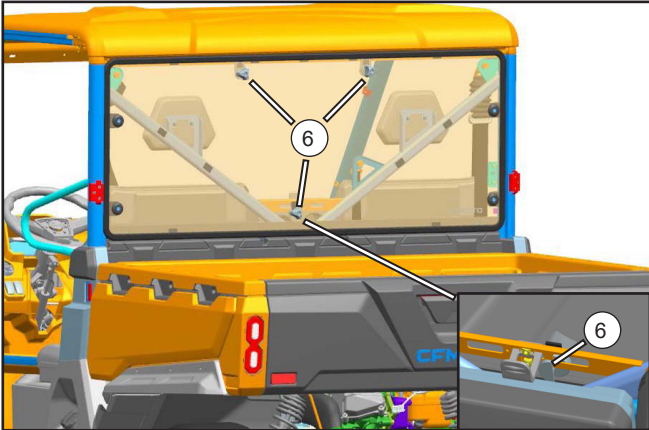
// Paste twelve sponge straps (5) to the black position (as shown).



// Install the rear windshield sheet metal (8) into position as shown, secure it with original bolt (A).

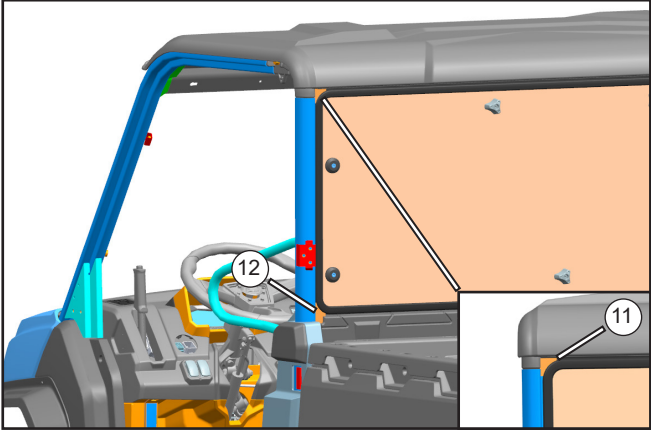


// Place the rear windshield (2) into assemble position, secure four circlips (4).



// Rotate the glass fastener assy (6) to the pic position.

## ASSEMBLY and INSTALLATION



// Paste the driver side upper seal foam (11) on the left upper corner of rear windshield. The driver side lower seal foam (12) on the left lower corner of rear windshield.

**i** The driver side share the same method with the passenger side to assemble.