



INSTALLATION INSTRUCTIONS

CF MOTO

ZFORCE 950 Sport/Trail (2023)



SAFETY INSTRUCTIONS

WARNING: Failure to follow all safety and operating instructions and warnings regarding use of this product can result in serious bodily injury.

THOROUGHLY READ ENTIRE ASSEMBLY INSTRUCTIONS BEFORE STARTING THE ASSEMBLY OF THE CAB KIT

ALL PARTS shown in the assembly instructions MUST BE INSTALLED. Failure to fully assemble the product before use could result in personal injury.

Assembly of product requires use of hand or power tools. If you are not experienced in using these types of tools, have product dealer do the install for you.

Some parts contain sharp edges, wear protective gloves if necessary.

Always keep your assembly area clean, uncluttered and well lit.

Keep visitors and children a safe distance away from the assembly area. Visitors should wear the same safety equipment described in this section.

Never operate your UTV with the cab doors open. Failure to properly latch the doors before moving the vehicle could result in serious injury.

Dress for safety. DO NOT wear loose clothing, gloves, neckties or jewelry if using power tools to assemble this product.

Insert all nut covers after you finish installation.

Never drive your UTV with the cab front window in FULL open position. Failure to properly latch front window before driving the vehicle could result in serious injury.

Please be careful to not break the large black plastic washers by overtightening. Torque screws to a maximum 3.7 foot-pound force (5 Nm)!!!

WARNING: For safety purposes, if the HardCabs Cab doors are removed, it is mandatory that the OEM manufactured Half Doors or Nets are REINSTALLED before operating the vehicle.

MAINTENANCE AND CLEANING

To clean polycarbonate surface use soapy water solution or other subtle means.

Wash off Dirt and dust with a gentle water stream and wipe off with wet or soft towel in the direction from top to bottom.

The recommended frequency of cleaning of polycarbonate panels is about 1 time per month or according to the actual degree of dirtiness.

Do not use detergents that could scratch the surface plates. (abrasives, harsh fabrics, etc.)

Do not use solvents or alkaline detergents or cleaners with ammonia (ammonium hydroxide).

Do not remove the impurities from the surface with razor blades or other sharp items.

Do not clean cab when the polycarbonate plates are heated by the sun.

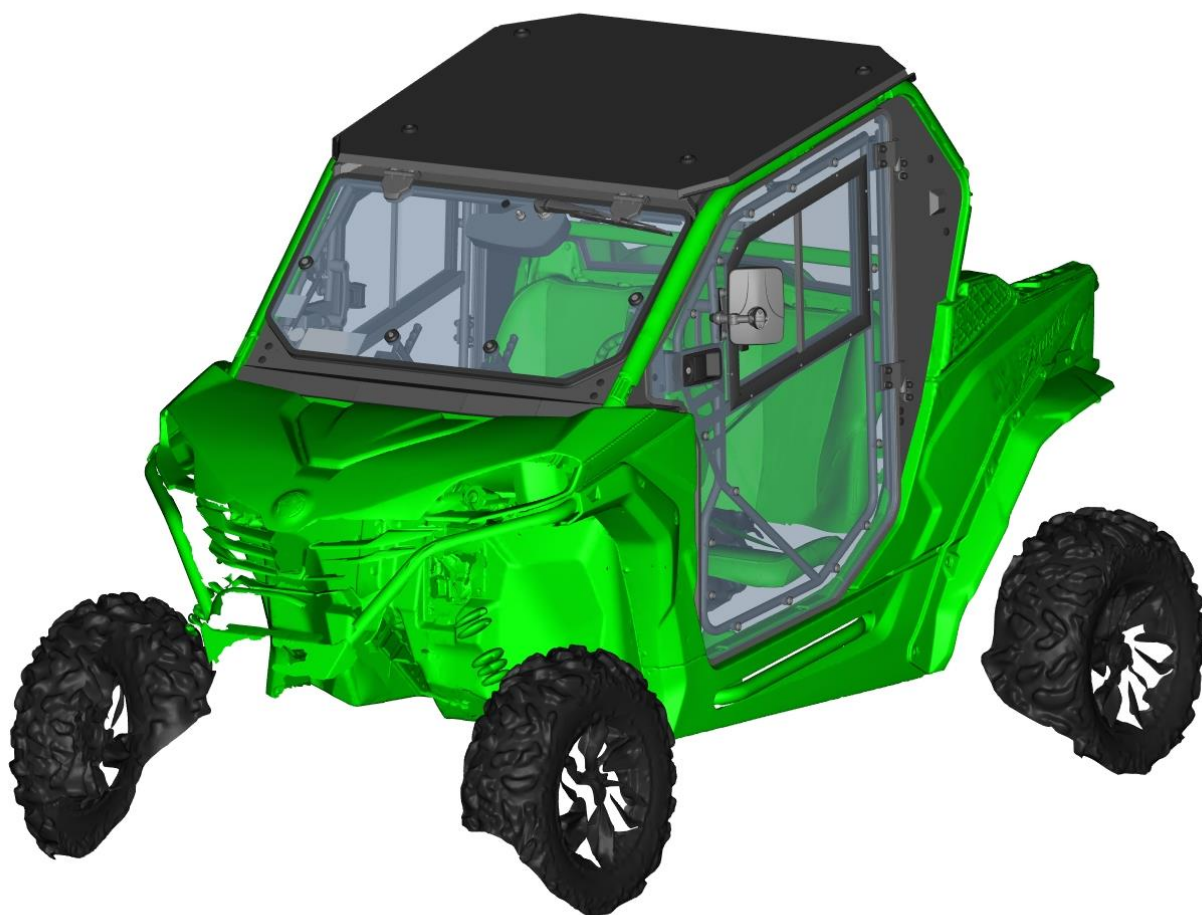
Do not use a squeegee, it could scratch surface plates.

Do not power wash at a strength of more than 725psi (50 Bar).

The manufacturer is not responsible for surface scratches due to failure to comply with the above instructions.

All bolted connections of cab must be checked and tightened by user at regular intervals.

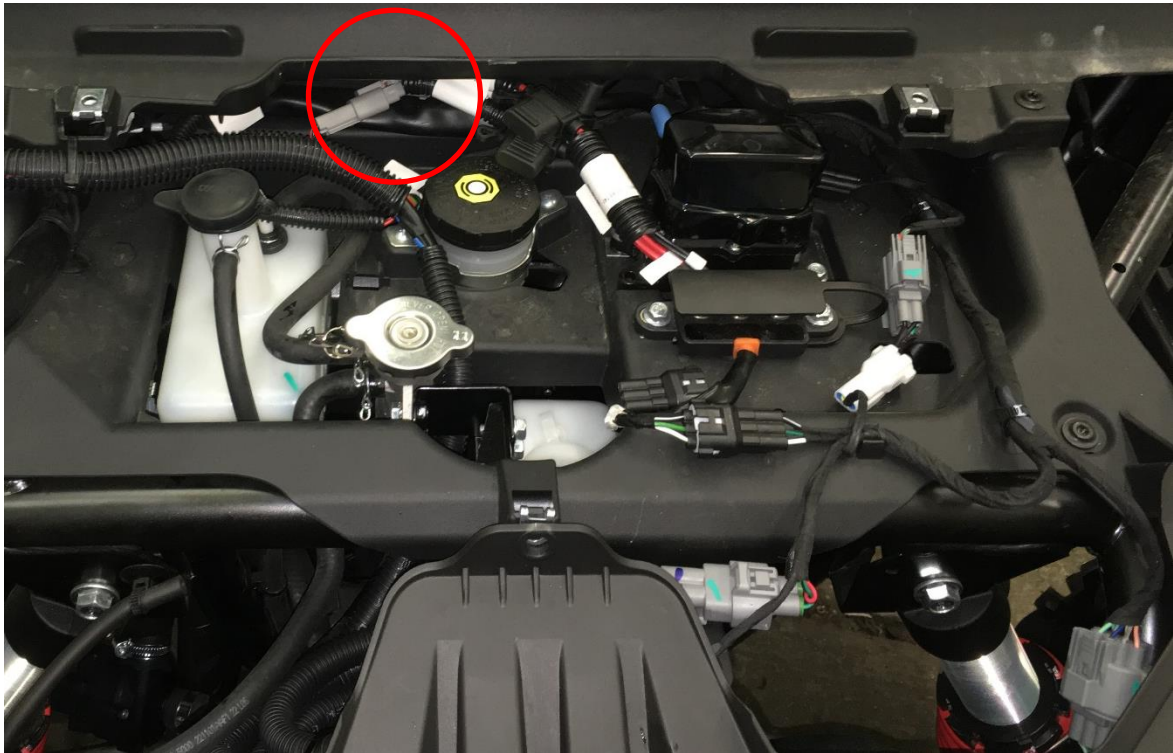
It is necessary to check the air filter of the heater regularly, depending on the dust environment in which the vehicle is operated.

CAB PREVIEW

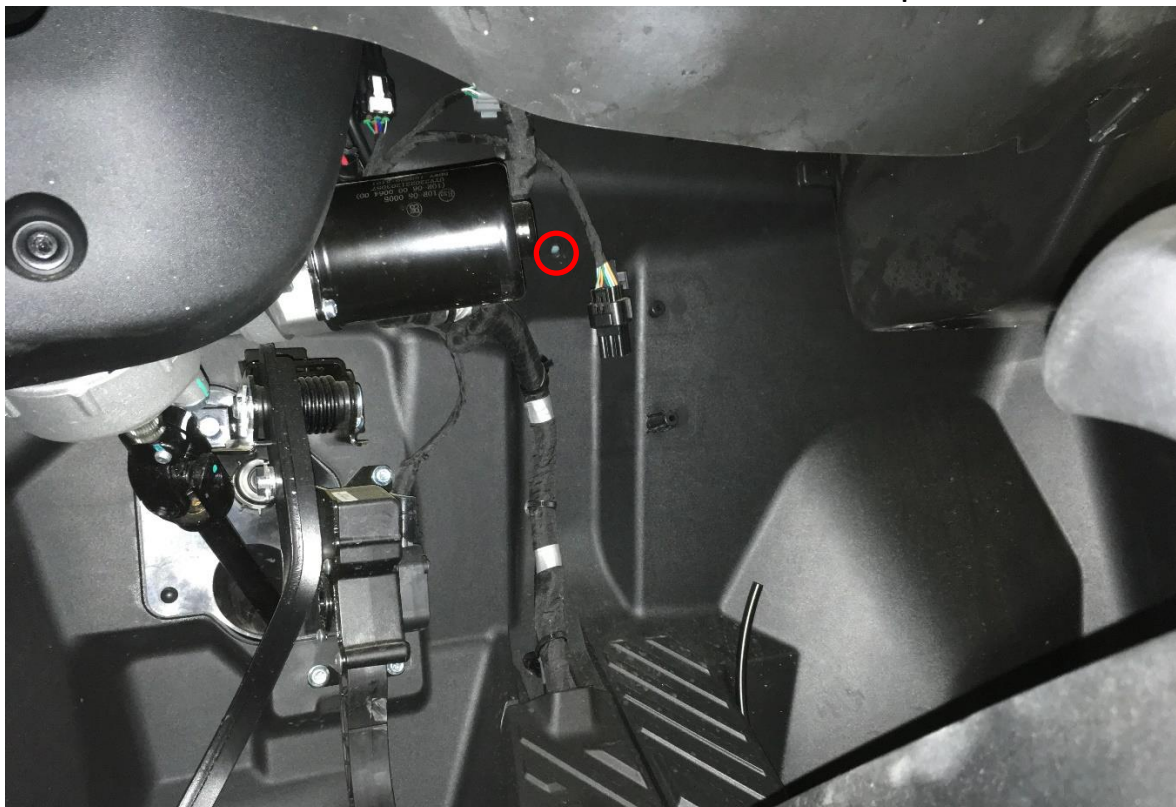
4

HEATER

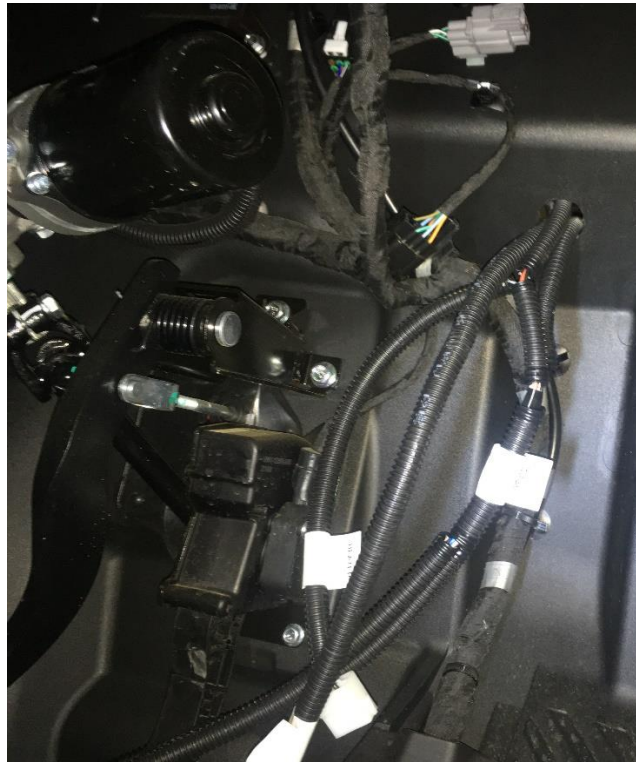
Connect the heater harness with the power supply harness.



Drill the hole \varnothing 35 mm for heater harness to the plastic cover.



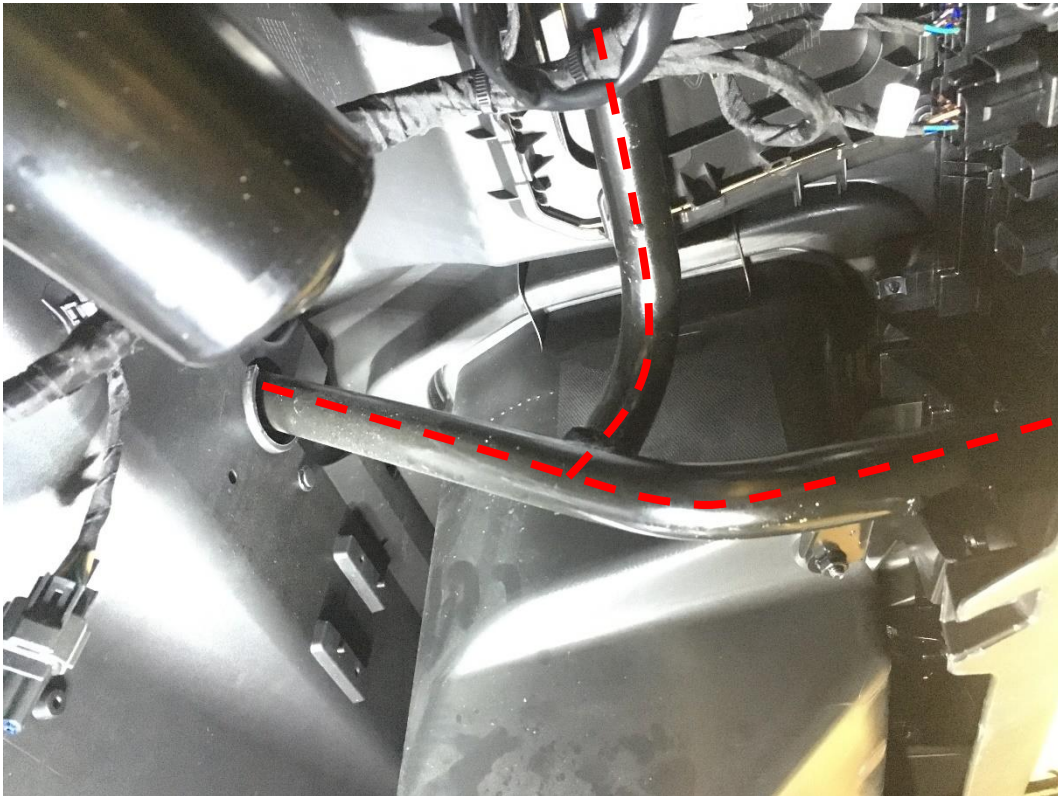
Route the heater harness through the prepared hole.



6 Drill two holes \varnothing 25 mm for heater water hoses.



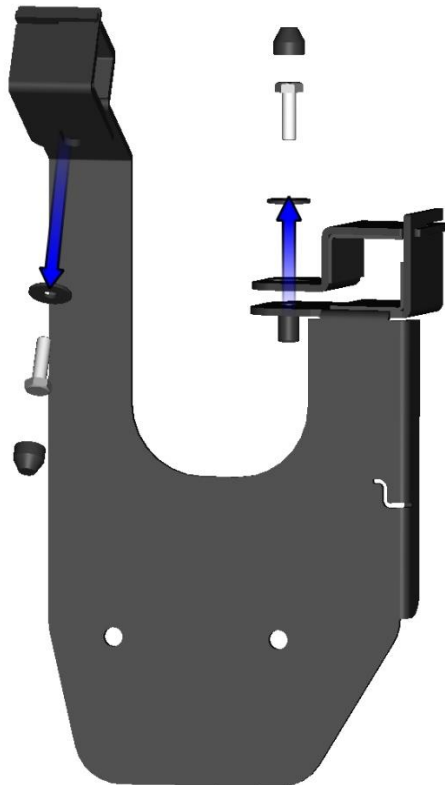
Find the UTV frame tubes under the dashboard for mounting heater holder.



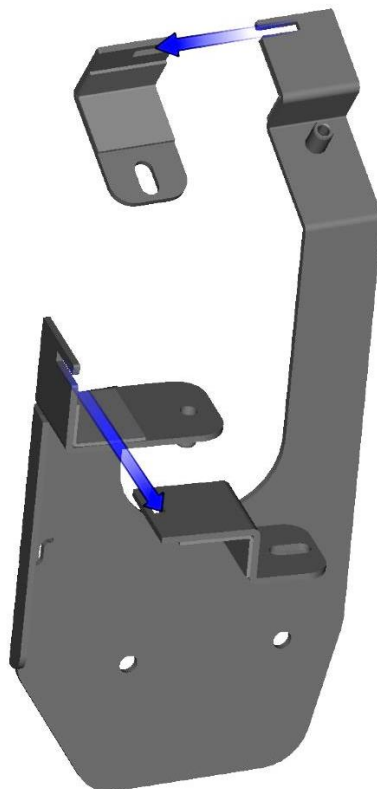
Another view of the UTV frame tubes for mounting heater holder.



Loosen the heater holder clamps.

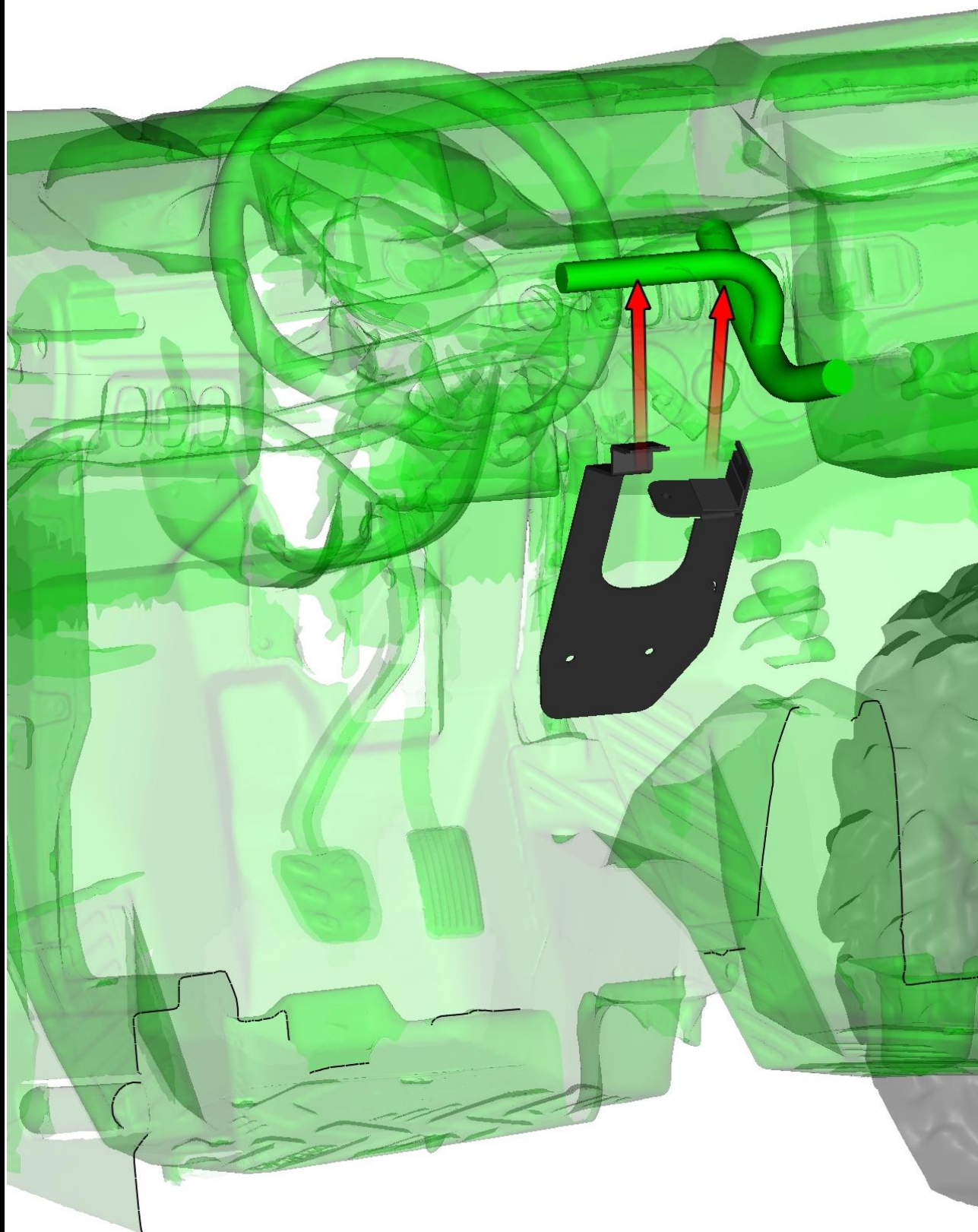


Remove the clamps from the heater holder.



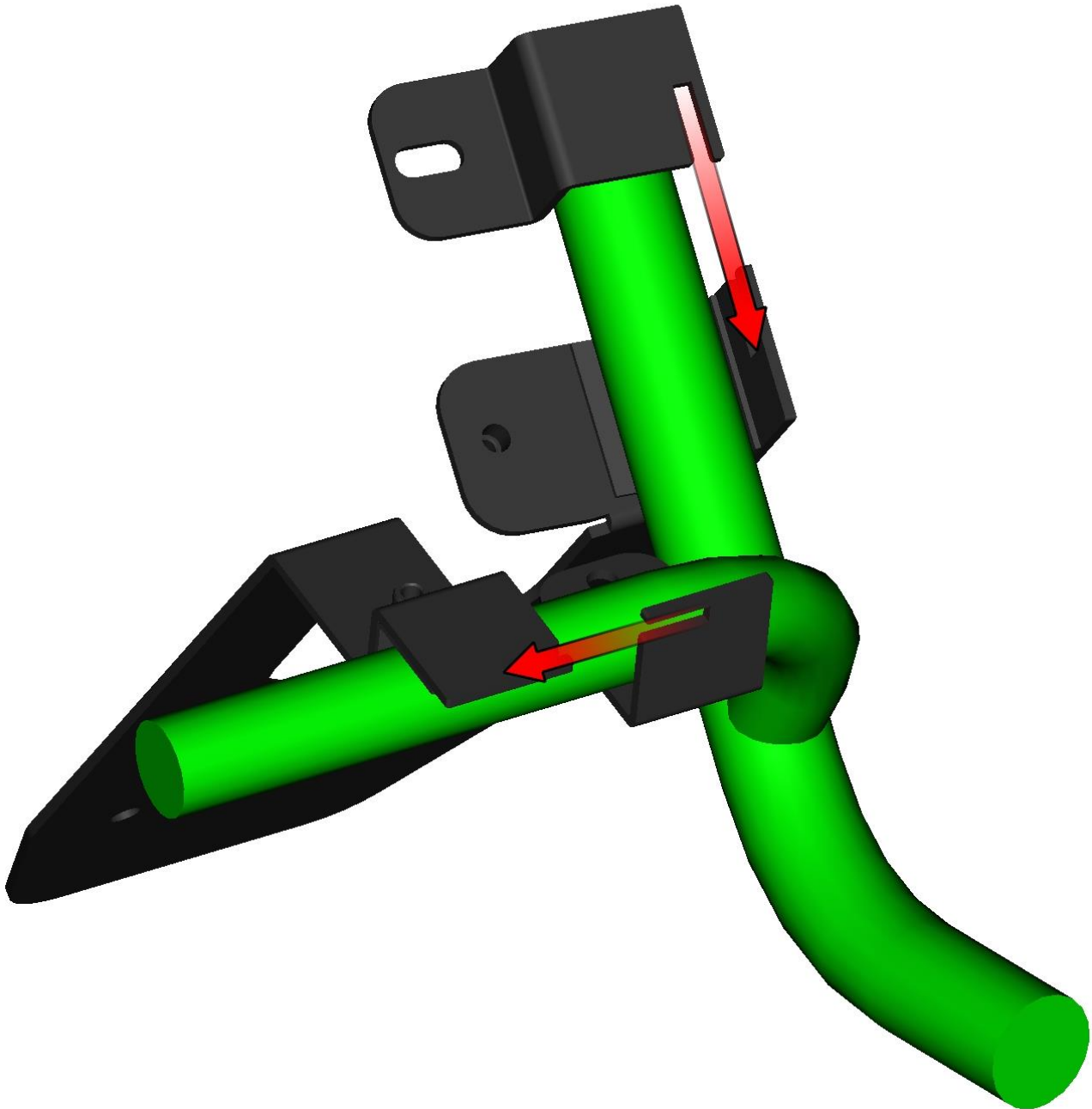
8

Place the heater holder on the UTV frame tubes.



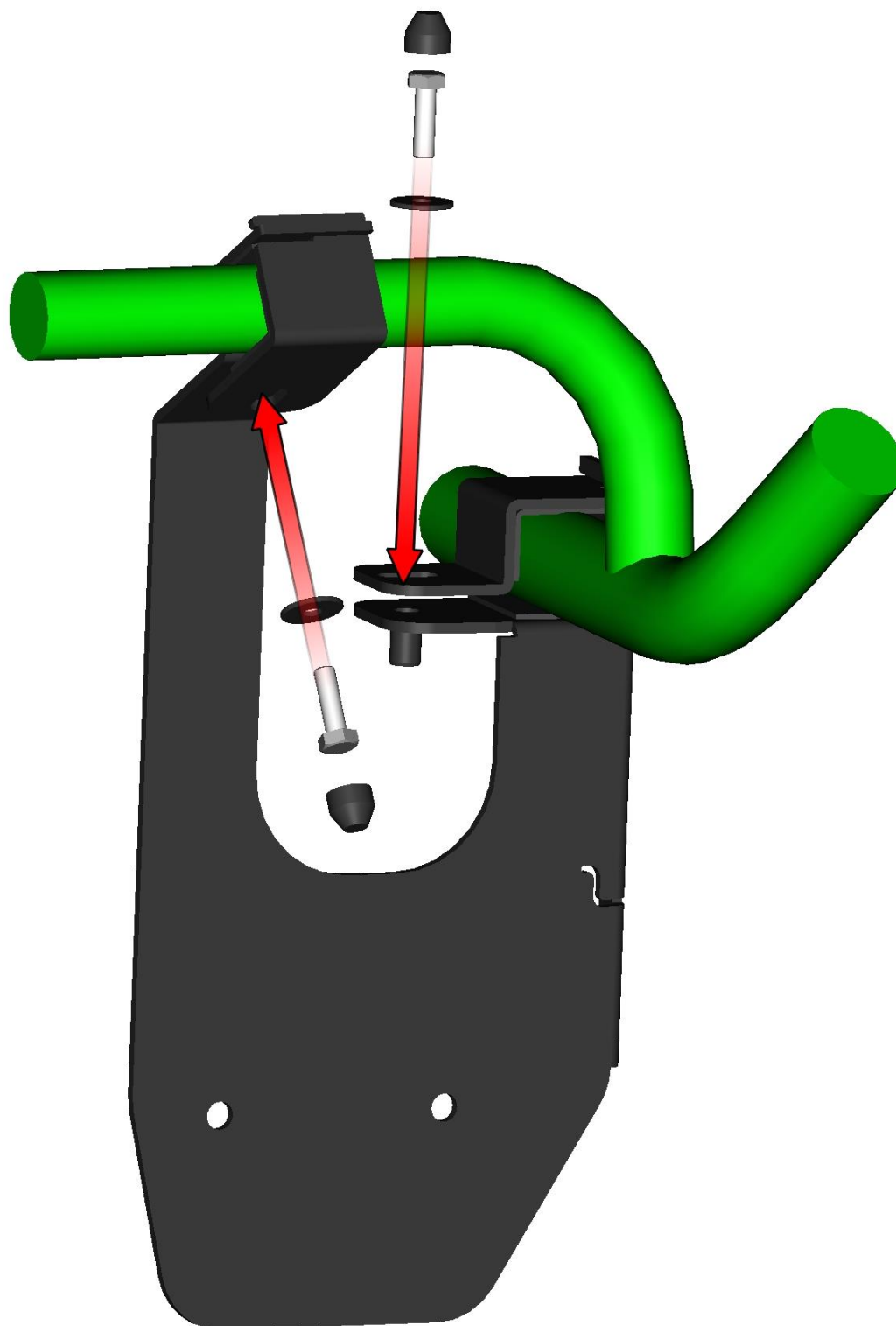
9

Install the heater holder clamps back to the original position.



10

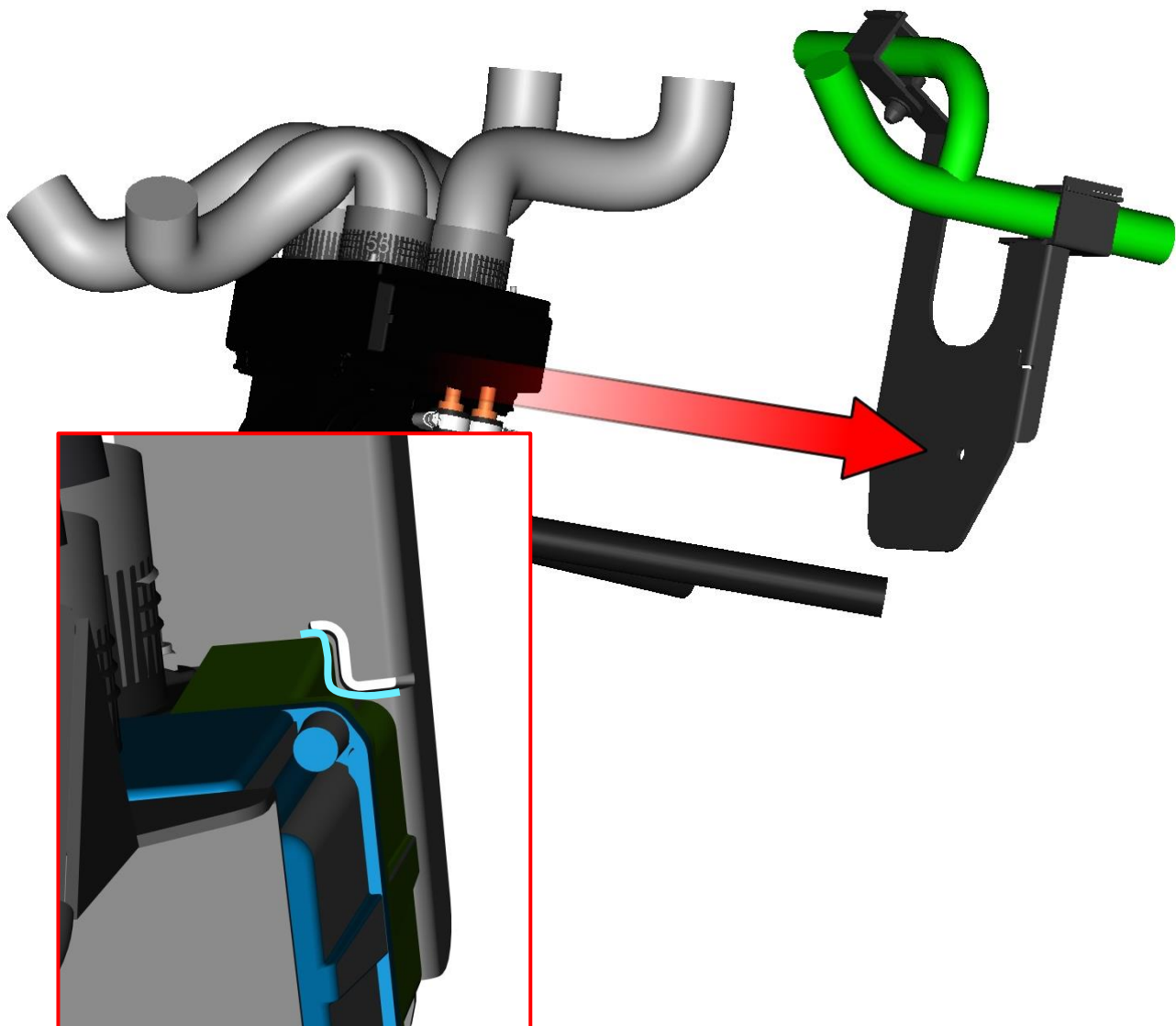
Close the clamps and fix the heater holder with included fixing assemblies.



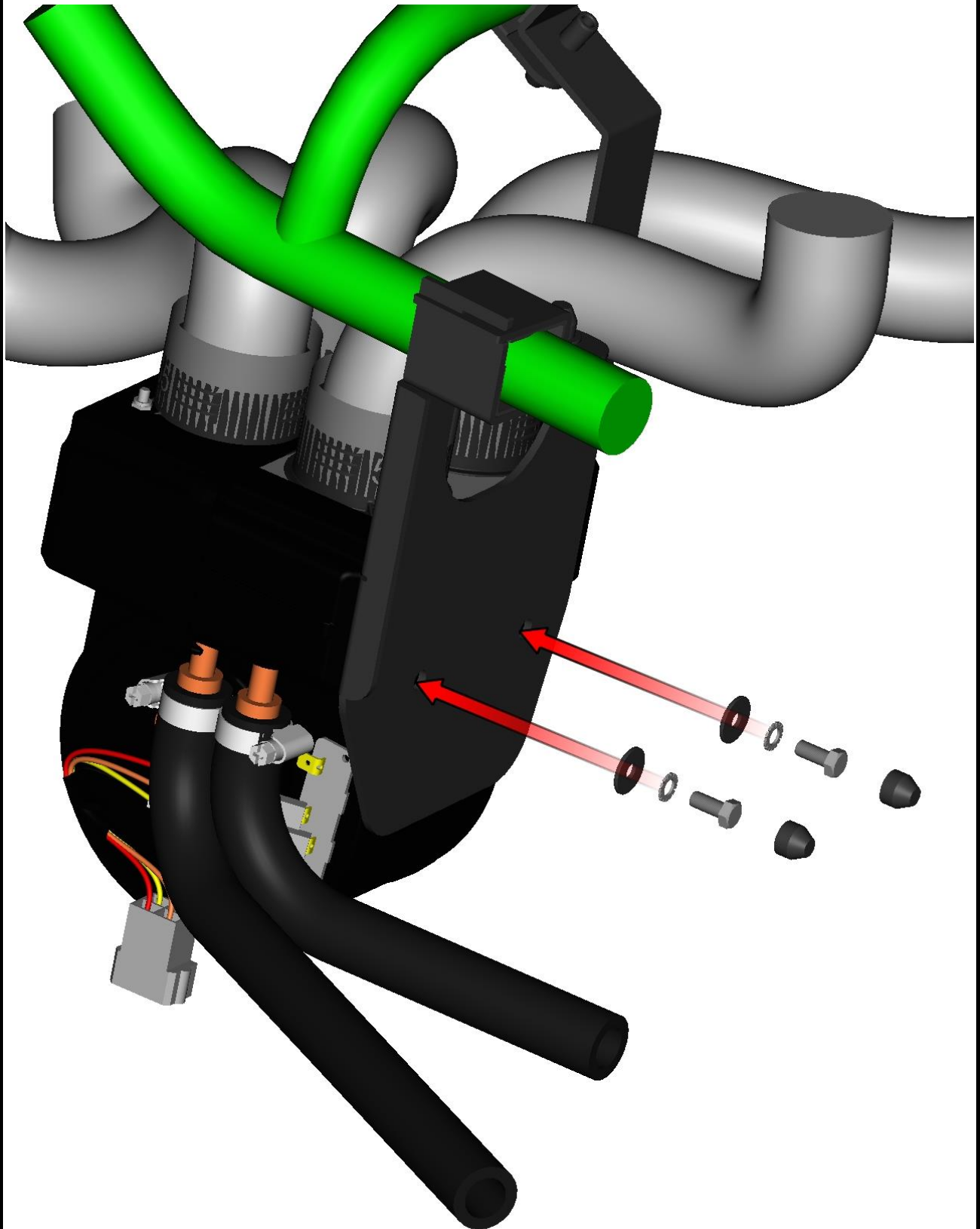
11

Place the heater assembly on the heater holder in accordance with the slot copying heater body shape.(turquoise line)

12

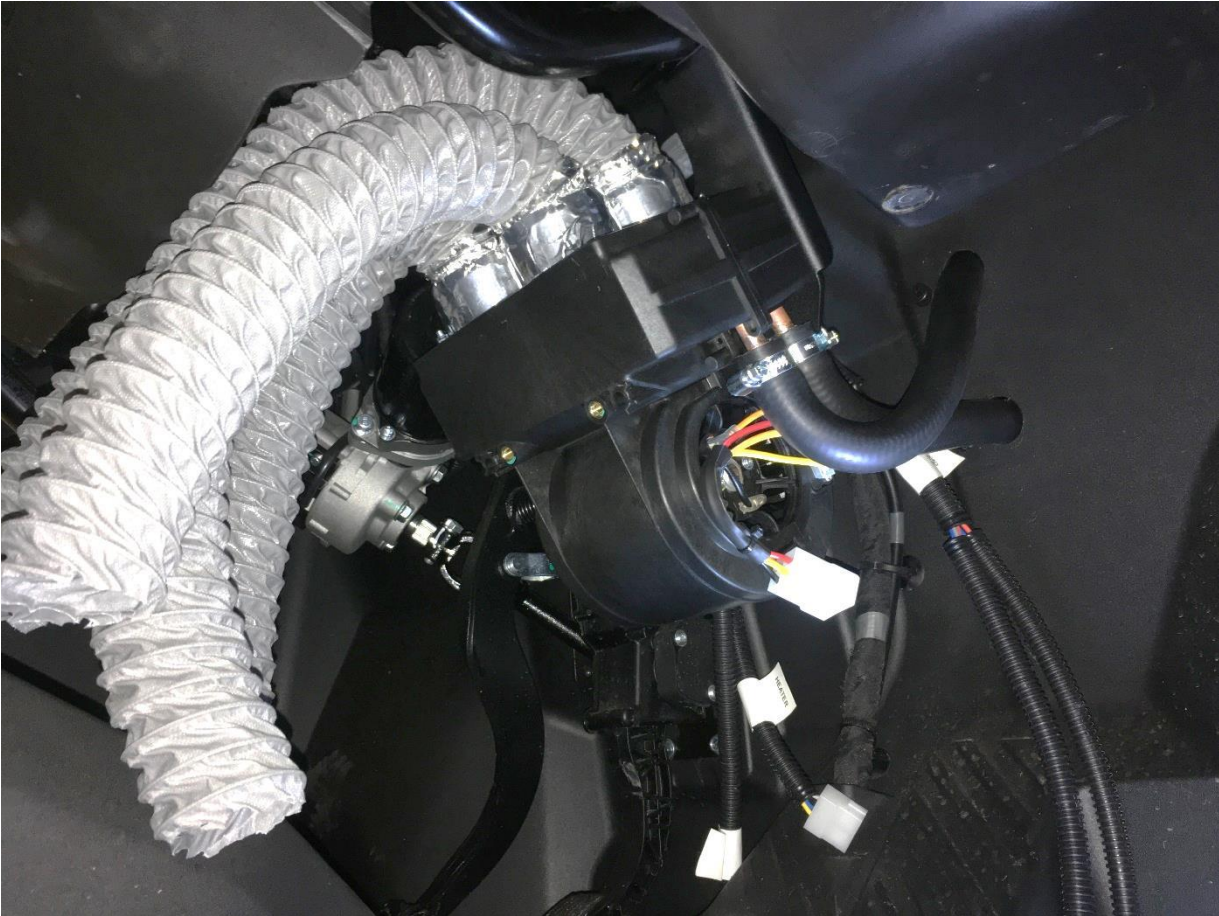


Attach the heater assembly to the heater holder with included fixing assemblies.

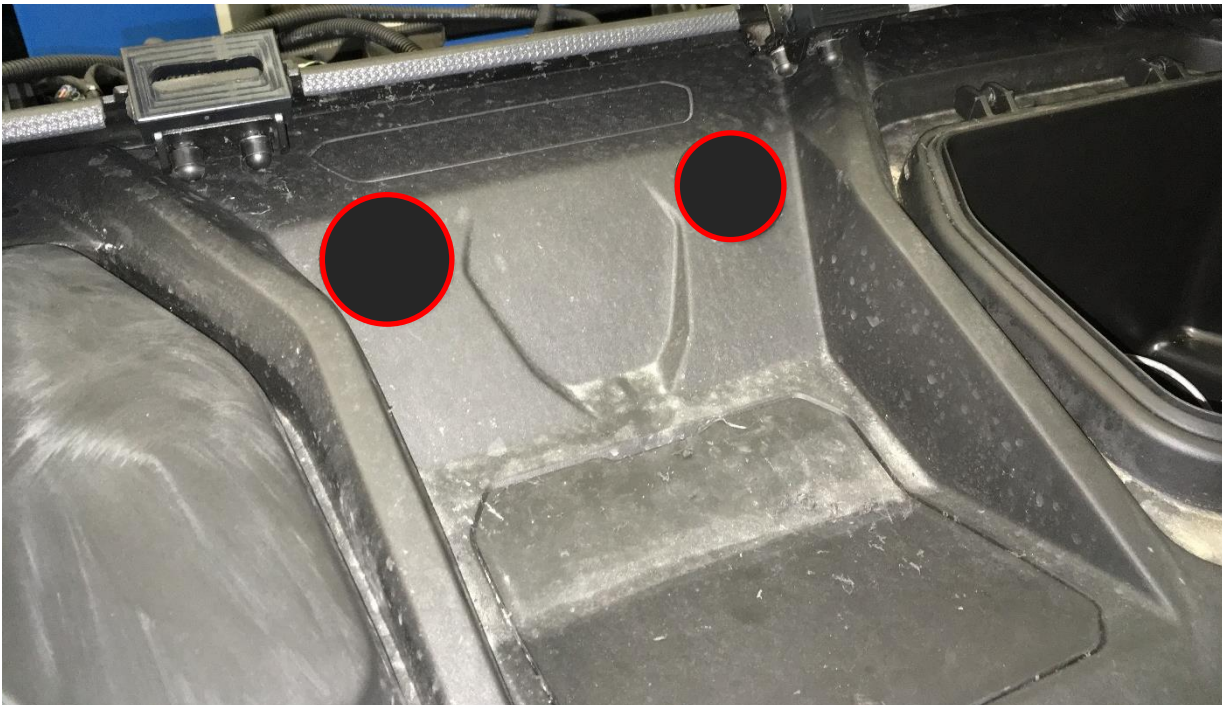


13

Route the heater water hoses through the prepared holes.



Drill two holes \varnothing 55 mm to the dashboard for the heater air hoses



Route the rear air hoses from the heater through the prepared holes.

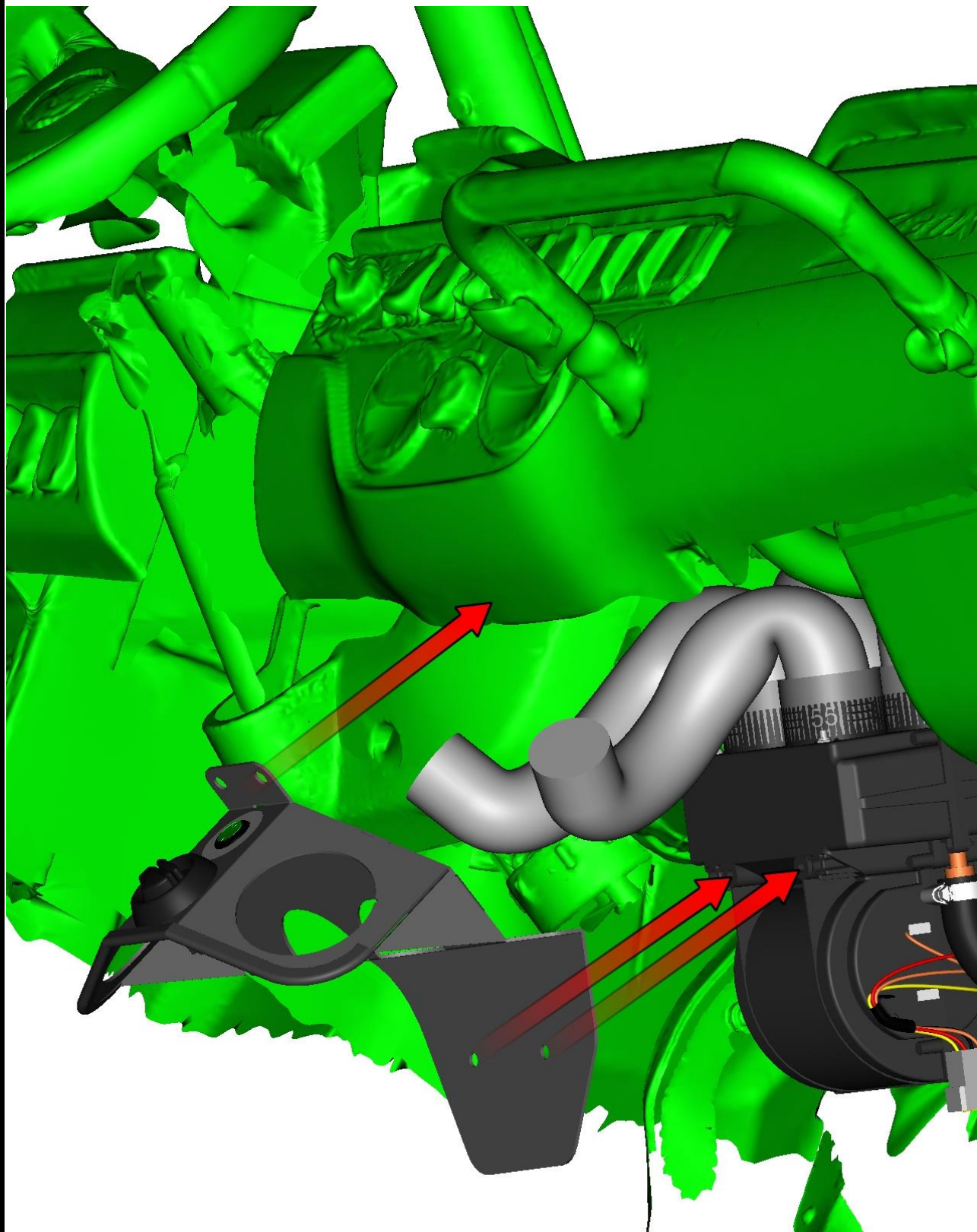


Cut the air hoses to correct length and insert the air vents onto the hoses. Fix the air vents with the hoses by included tightening straps. Press the air vents into the holes.

15

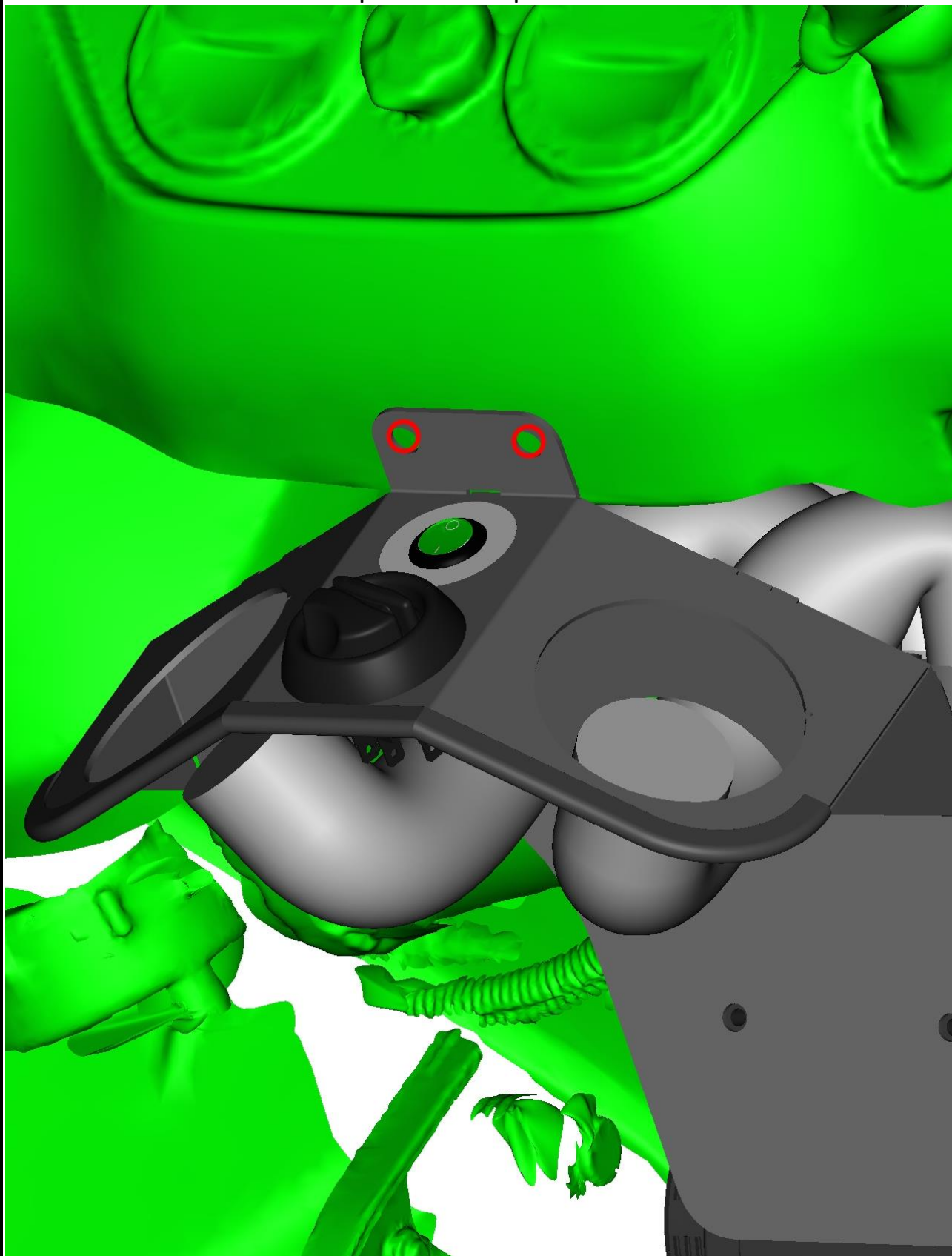


Place the heater control panel on heater body in accordance with the bolts.



16

Mark the heater control panel holes position on the UTV dashboard.



17

Drill two holes \varnothing 8 mm to the dashboard over the heater on marked positions.



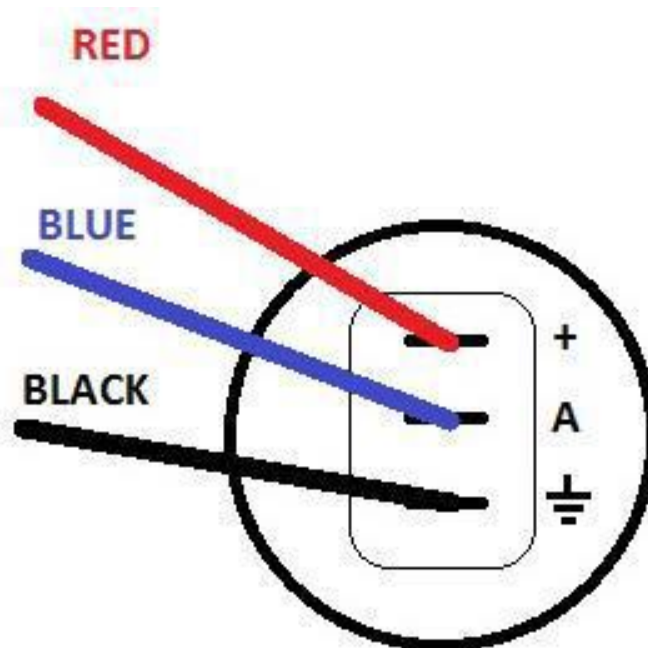
Mount the heater control panel on the heater body with included fixing assemblies and on dashboard with included plastic rivets.



Connect the heater harness with the ventilator switch and with the valve switch.



Scheme of the valve switch connection.



Connect the heater harness with the heater.



20

Route the front heater air hoses through the heater control panel holes. Cut the air hoses to correct length and insert the air vents onto the hoses. Fix the air vents with the hoses by included tightening straps. Press the air vents into the holes.



CAUTION

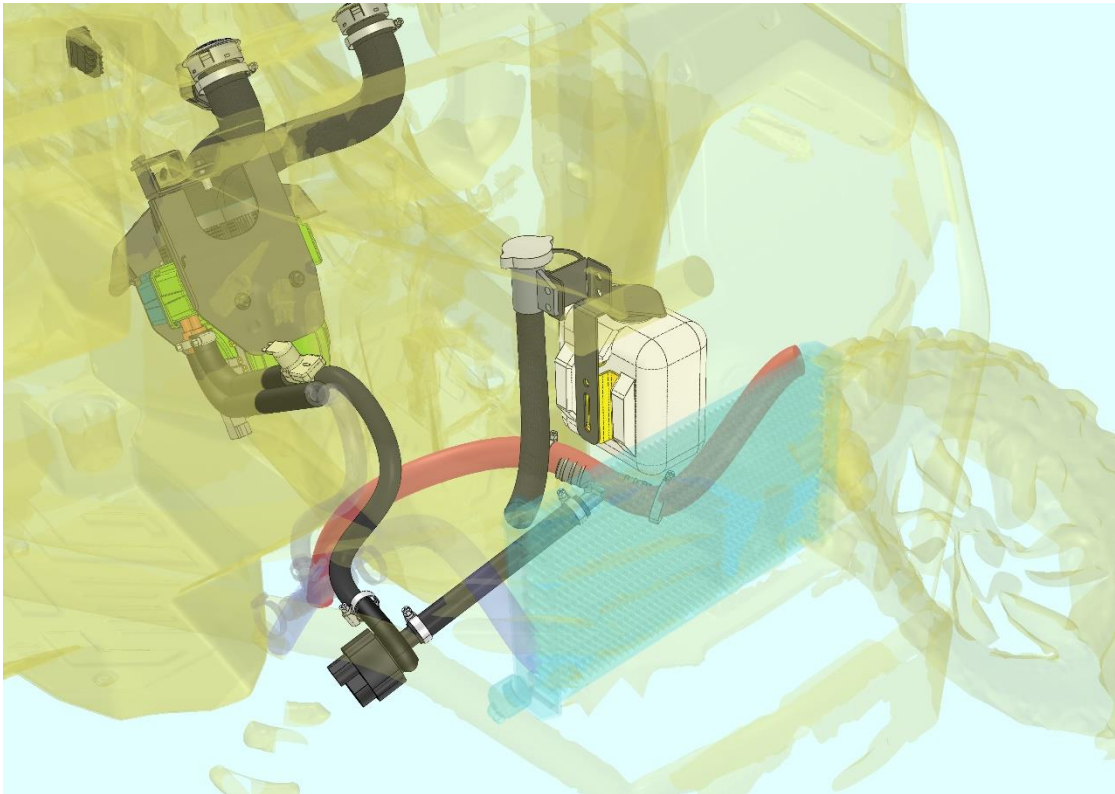
DO NOT MANIPULATE WITH ENGINE OR WITH ENGINE COOLING SYSTEM IF THAT PARTS OF MACHINE IS HOT! WHEN ENGINE IS HOT, ANY MANIPULATION CAN RESULT IN SERIOUS BODY INJURY!

Prepare the heater water hose assembly with the water pump and the el. mag valve for installation.



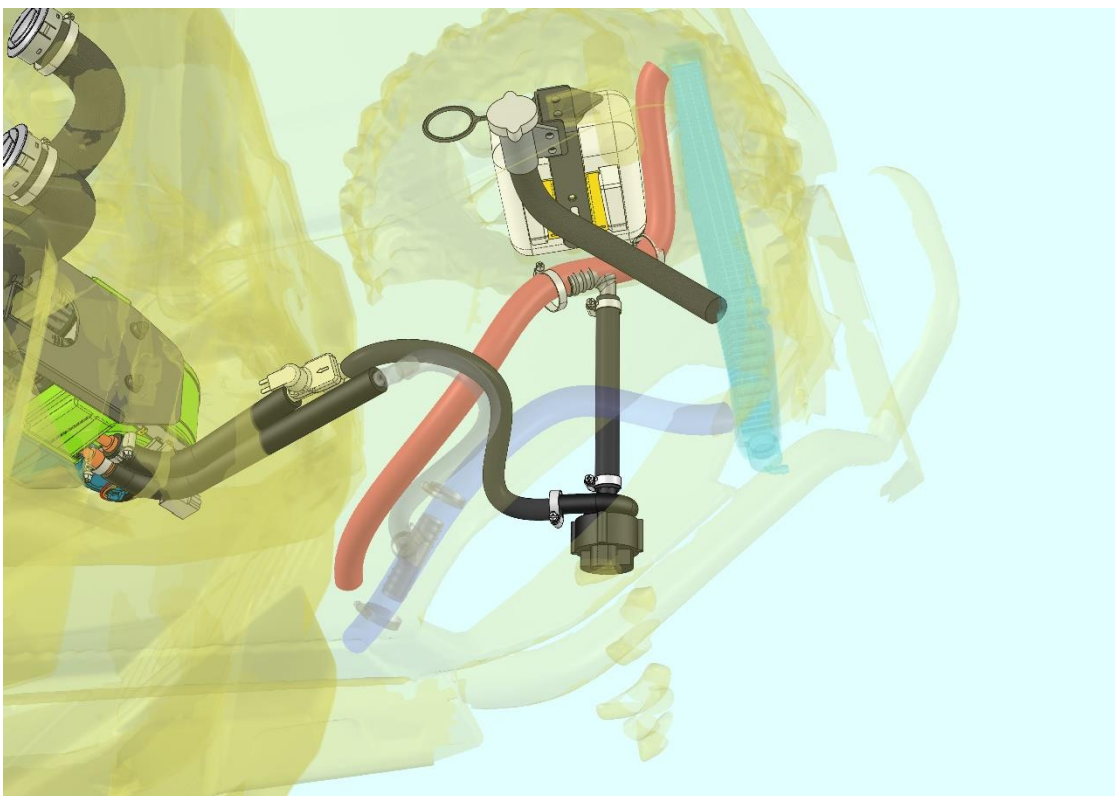
21

Heater input water hose connection scheme.



22

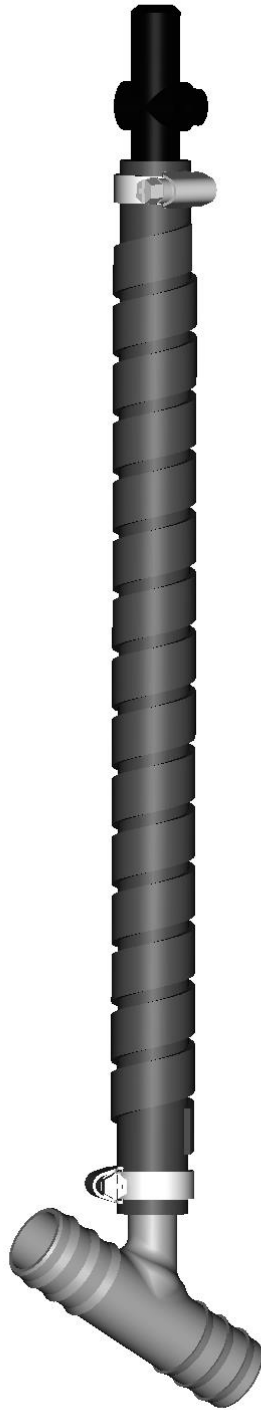
Connect the heater input water hose assembly to the upper hose on the front cooler radiator.



Secure the original hose by clamps. Cut the original hose between clamps and insert the tightening straps onto the heater hose. Insert the heater hose onto the "Y" coupling. Fix the hose with the couple by tightening straps.

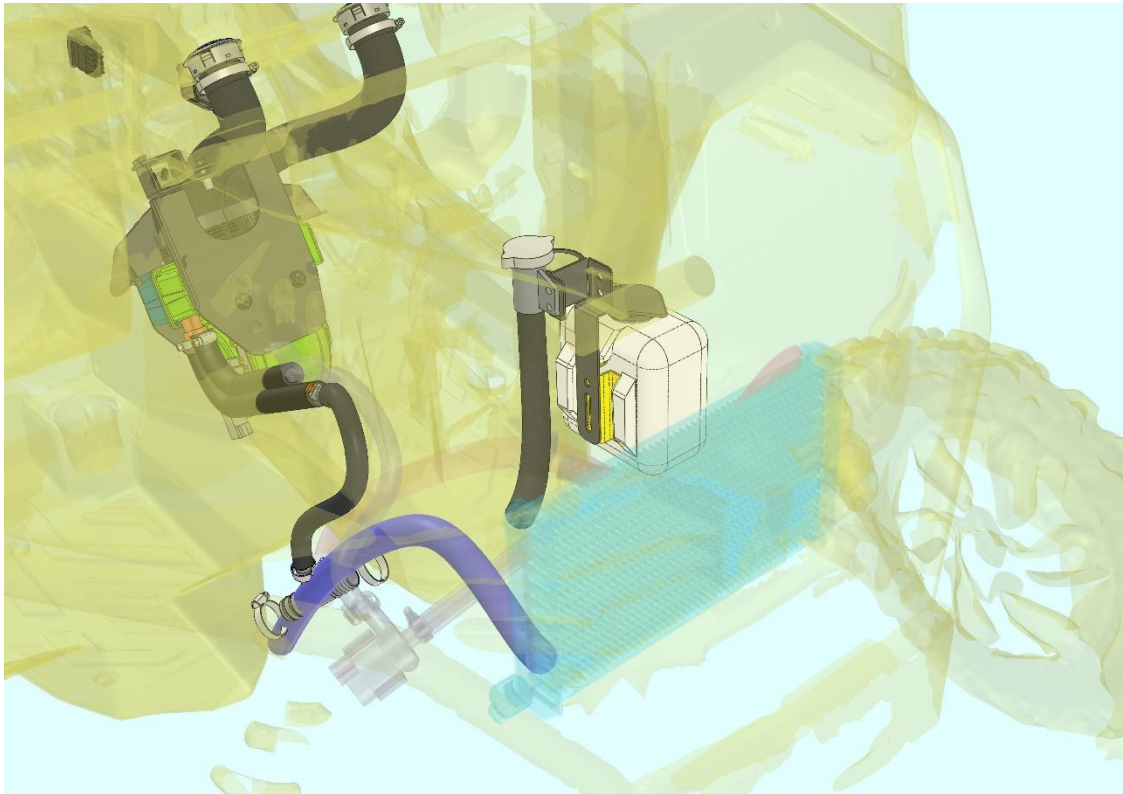


Prepare the heater water hose assembly with the bleeding valve for installation.

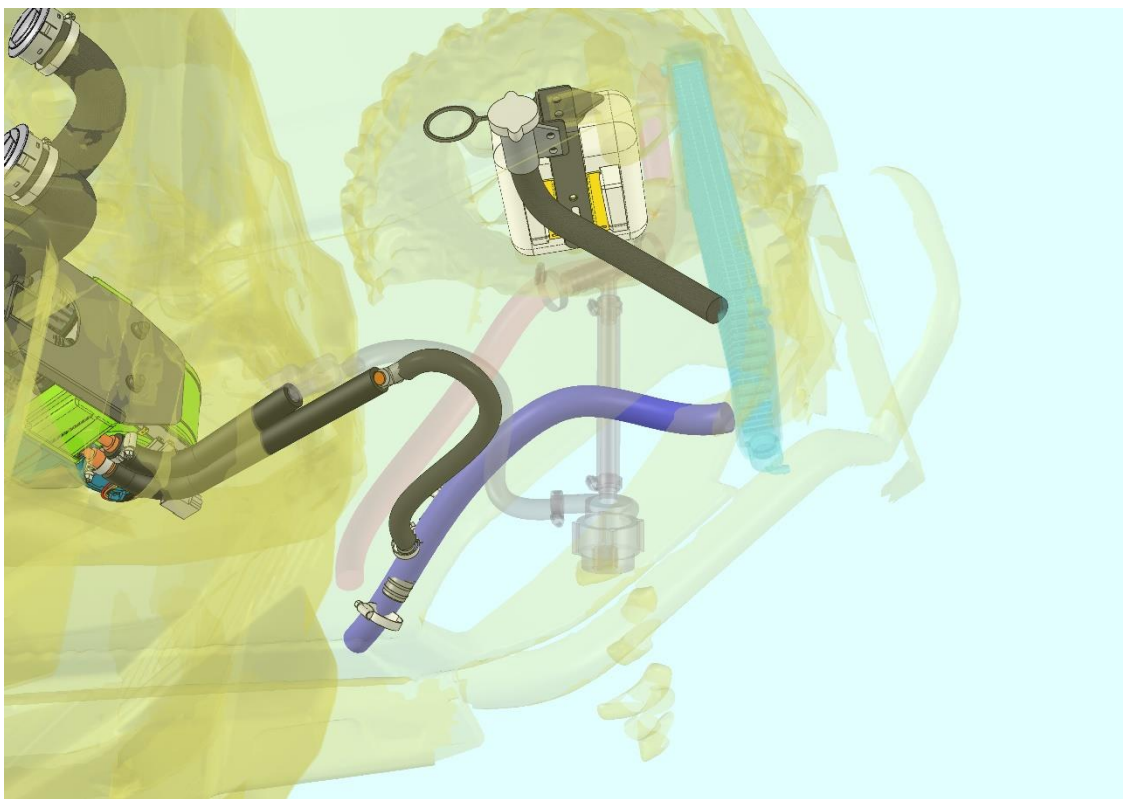


24

Heater output water hose connection scheme.

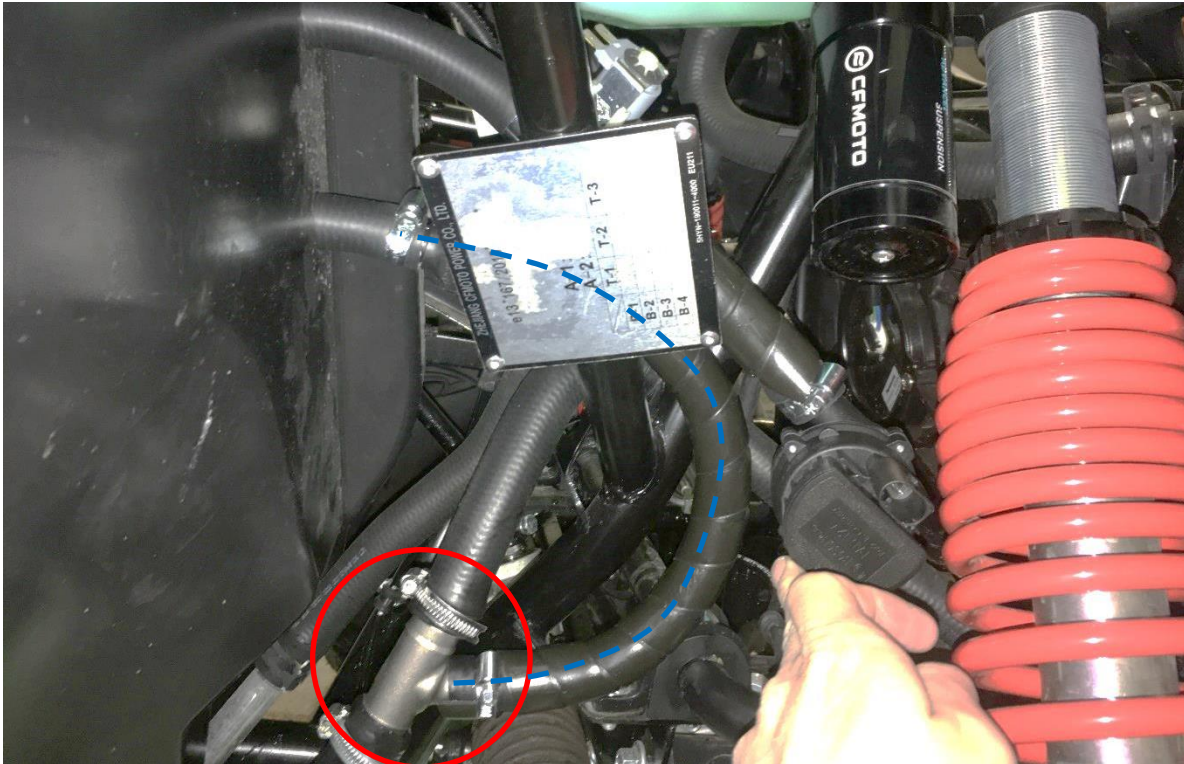


Connect the heater output water hose assembly to the bottom hose on the front cooler radiator.

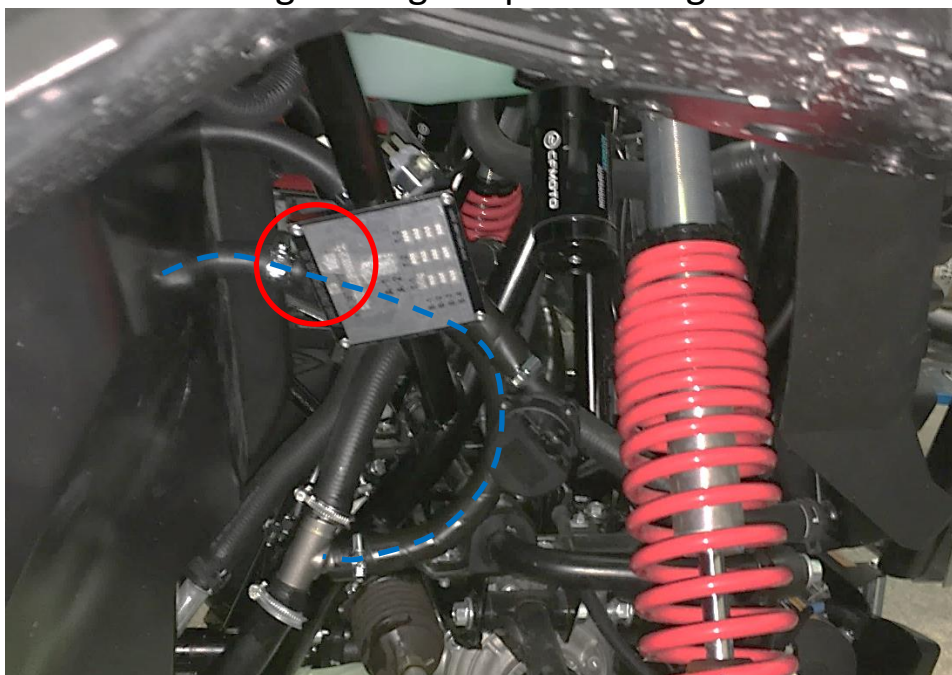


Secure the original hose by clamps. Cut the original hose between clamps and insert the tightening straps onto the heater hose. Insert the heater hose onto the “Y” coupling. Fix the hose with the couple by tightening straps.

26



Connect the heating hoses using the bleeding valve together. Use tightening straps for fixing.



Connect the el. valve with water pump harness and then with the heater harness.

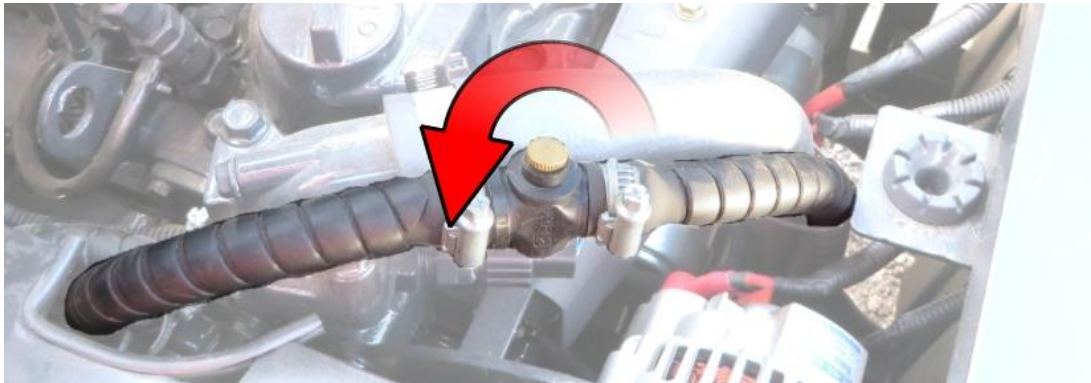


Connect the water pump harness with the water pump.



BLEEDING INSTRUCTIONS

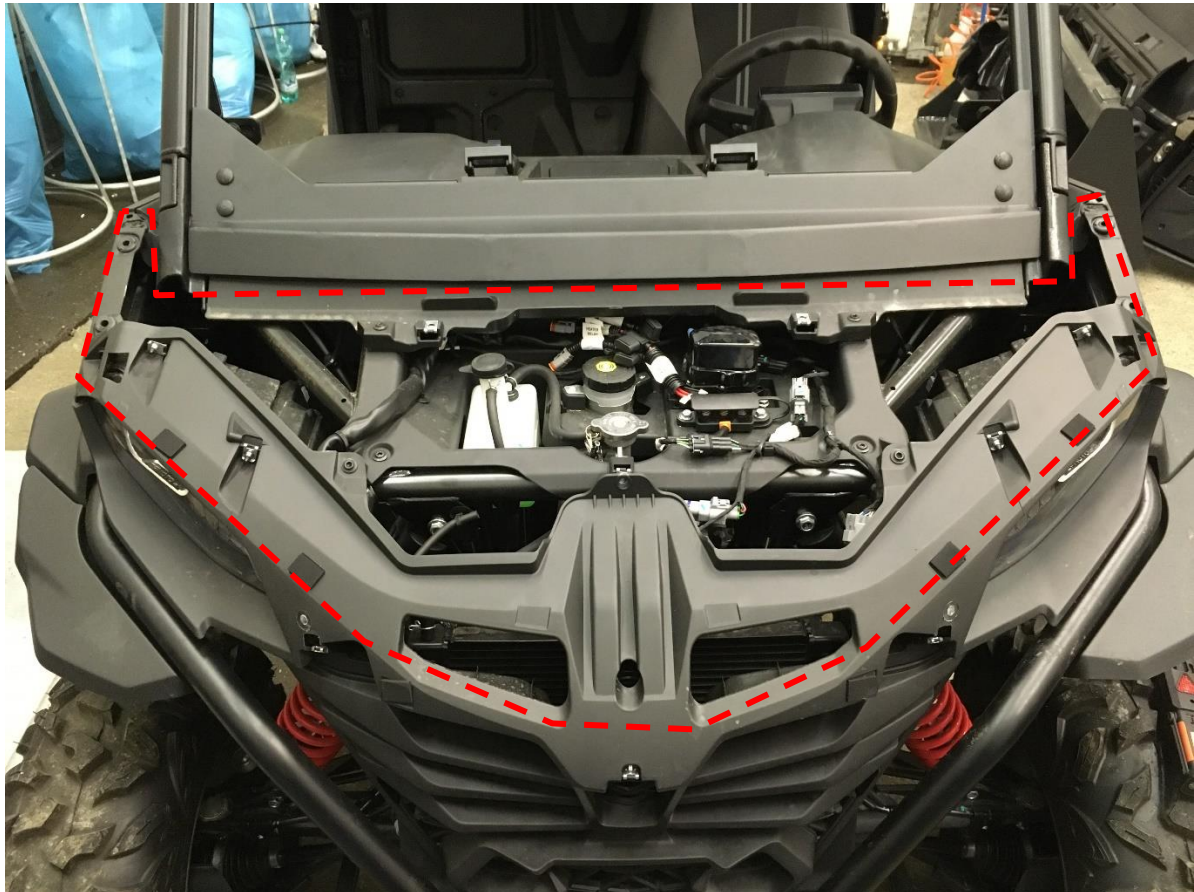
- After installing the heater circuit, open the radiator and coolant reservoir of the vehicle and add coolant to both the coolant reservoir and radiator level is up to the MAX line.
- Install coolant reservoir and radiator caps.
- Activate heater fan, turn on the electromagnetic valve and put the heating level to maximum.
- Run engine at idle with coolant reservoir cap ON until the cooling fan cycles two times.
- If a DFK bleeding valve is included in the heater assembly, open it at nominal RPM until a continuous stream of fluid flows out of it.



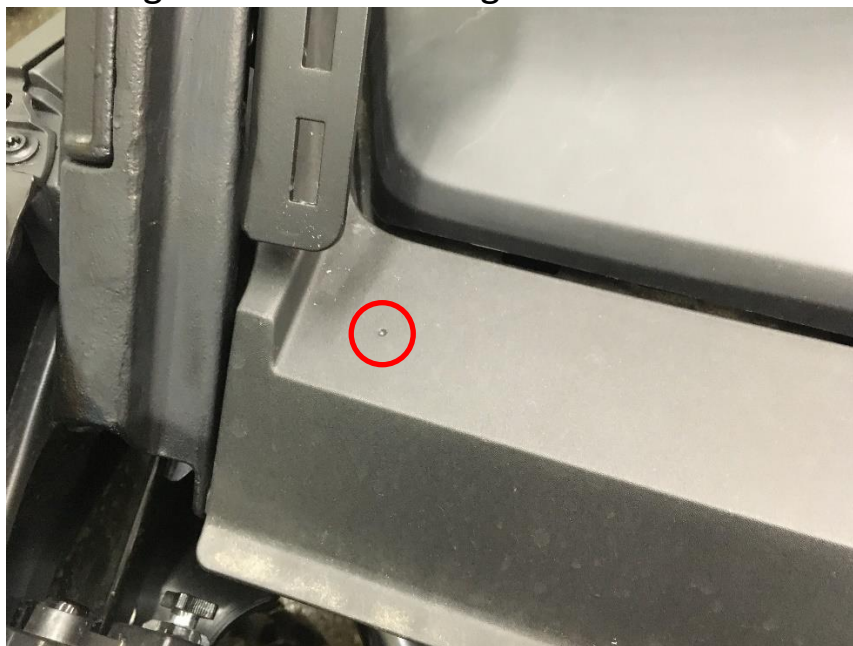
- Bleed even after the engine has warmed up to operating engine temperature and repeat several times until full flow, without air bubbles, escapes from the bleed plug holes.
- Check for heat coming out of the heater unit.
- Turn the ignition switch off and allow the engine to cool down.
- After the engine cools down check the coolant level in the radiator reserve tank.
- Close all coolant containers and bleeding valve before driving.
- After the test drive, check the coolant level in the radiator reserve tank and add coolant as necessary.
- Check for leaks in the entire heating circuit. Leaks can cause additional aeration.

ELECTROINSTALLATION

Remove the plastic hood cover from the UTV.



Find the original mark on the right side of the dashboard



Drill the hole \varnothing 22 mm on marked position for wiper/washer harness.



30

Connect the power supply harness to the original terminals under the hood. Cable ring terminal on red wire to the **ACC** terminal and cable ring terminal on the black wire to **B-** terminal.



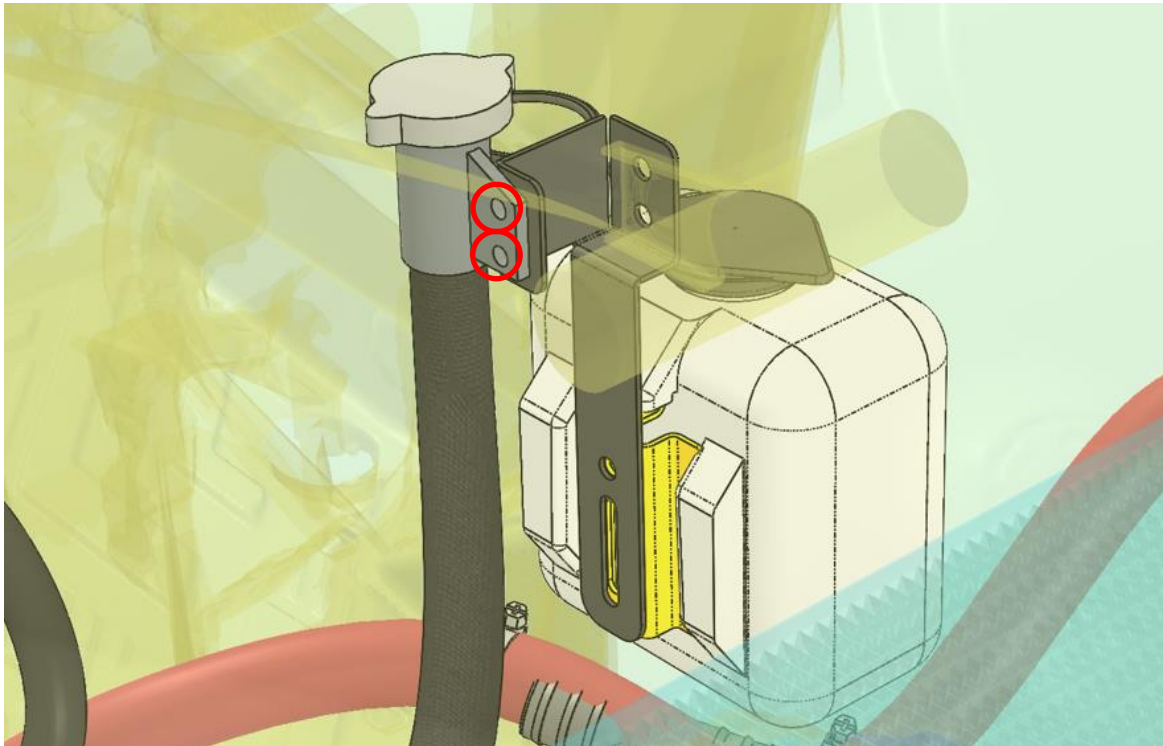
Find the cooling system radiator pressure cap.



Dismantle two fixing screws on the radiator pressure cap and mount the washer tank holder with washer tank. Use the original screws.



Attach the radiator pressure cap on the washer tank holder with included fixing assemblies.



32

Connect the wiper/washer harness with the power supply harness.



Connect the wiper/washer harness and the washer tube with the washer motor. Roll up the excess length of the cabling and attach it to the frame of the UTV.



Route the wiper/washer harness through the prepared hole on dashboard.



Route the wiper/washer harness on the UTV frame and the front upper ledge to the wiper motor.

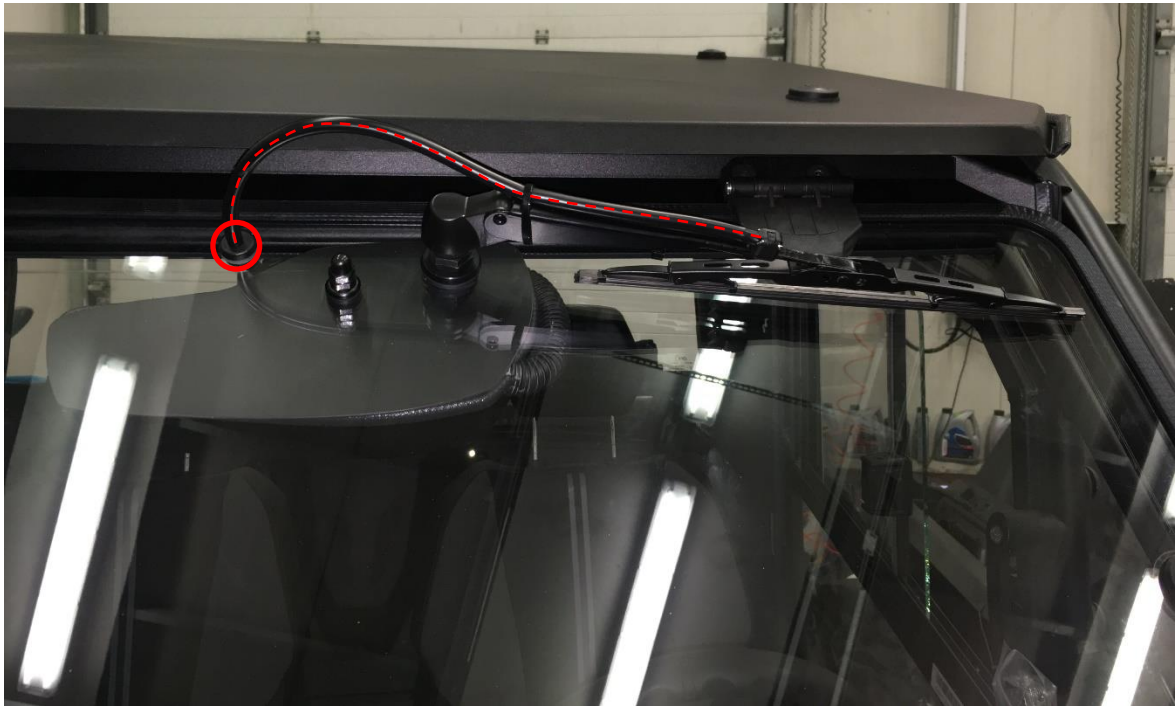


34

Connect the wiper/washer harness to the wiper motor.



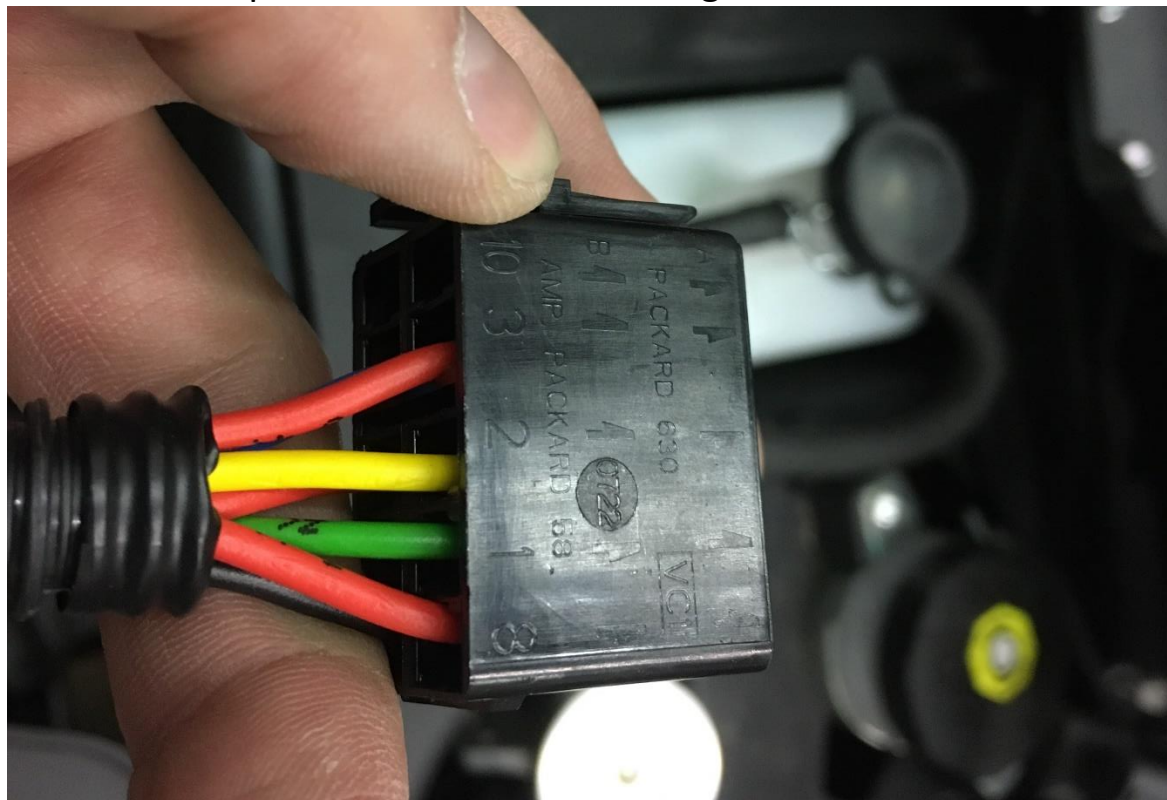
Route the washer tube through the plastic grommet on windshield to the washer jet on wiper arm.



Remove the cap from the empty slot on the UTV control panel.



Route the wiper/washer harness through the hole for the switch.



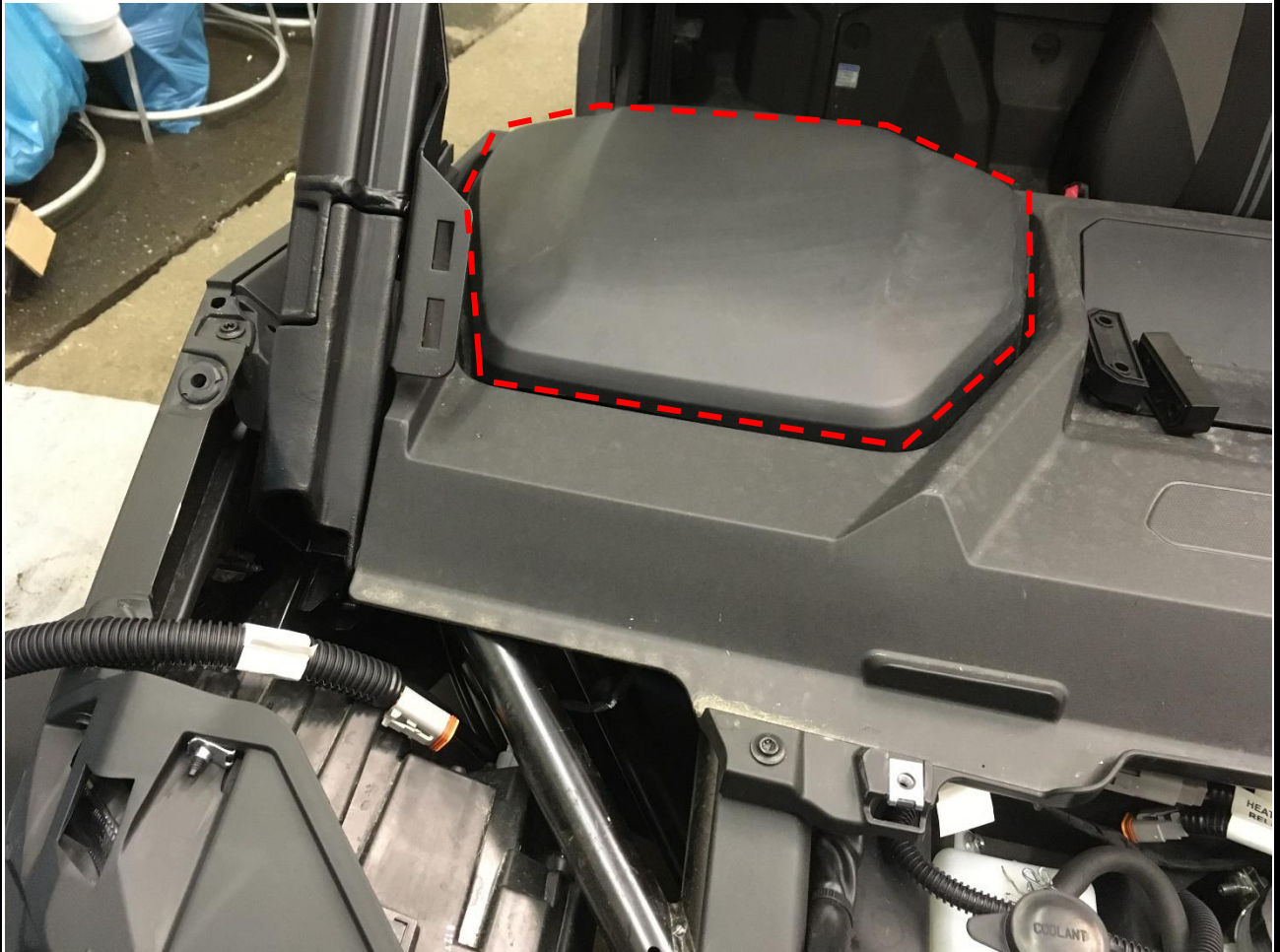
36

Connect the wiper/washer harness with the wiper/washer switch. Install the wiper/washer switch into the UTV dashboard.



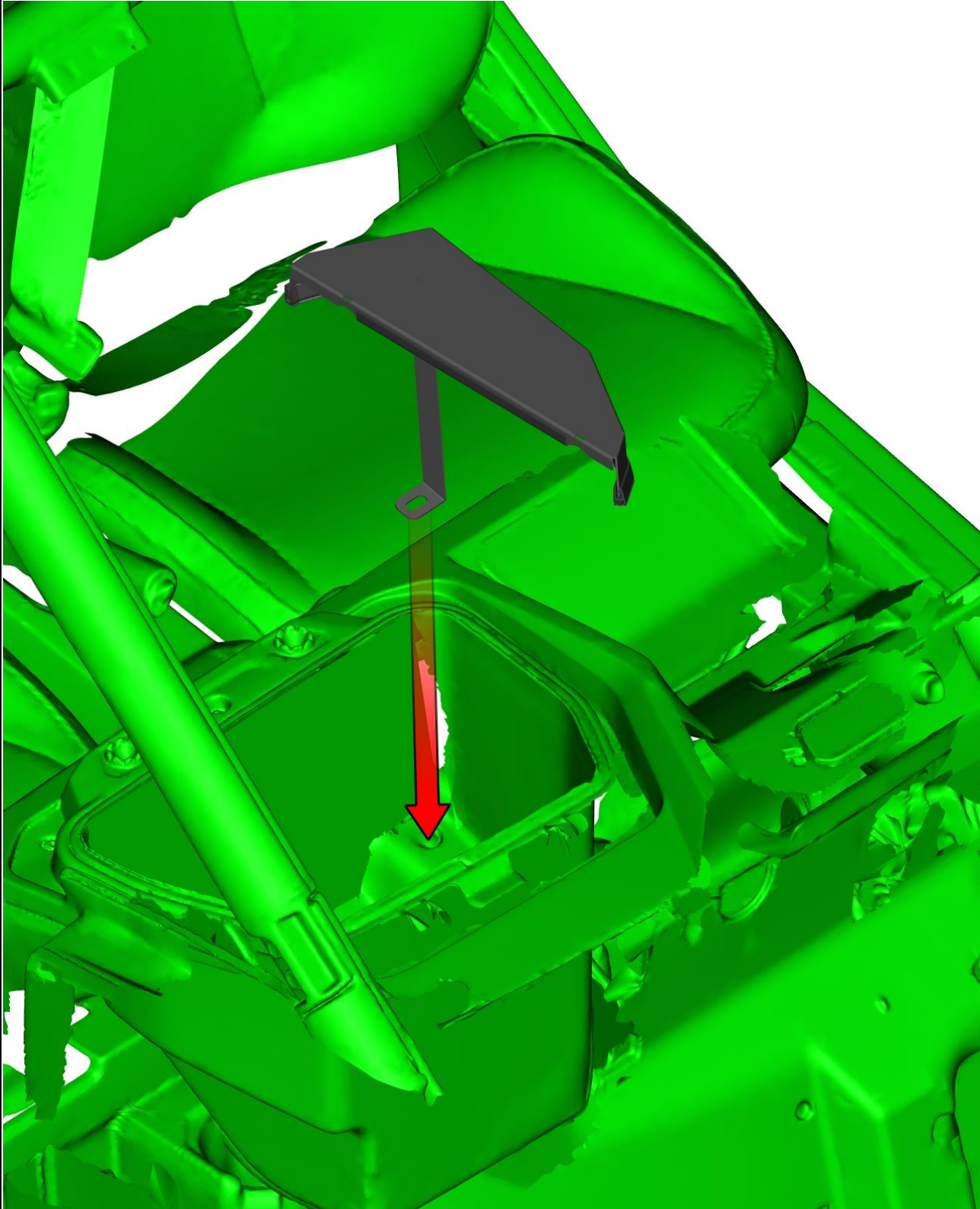
FRONT PANEL

If you have a cab including doors. Remove the glove box door. The glove box will not open after the door is installed

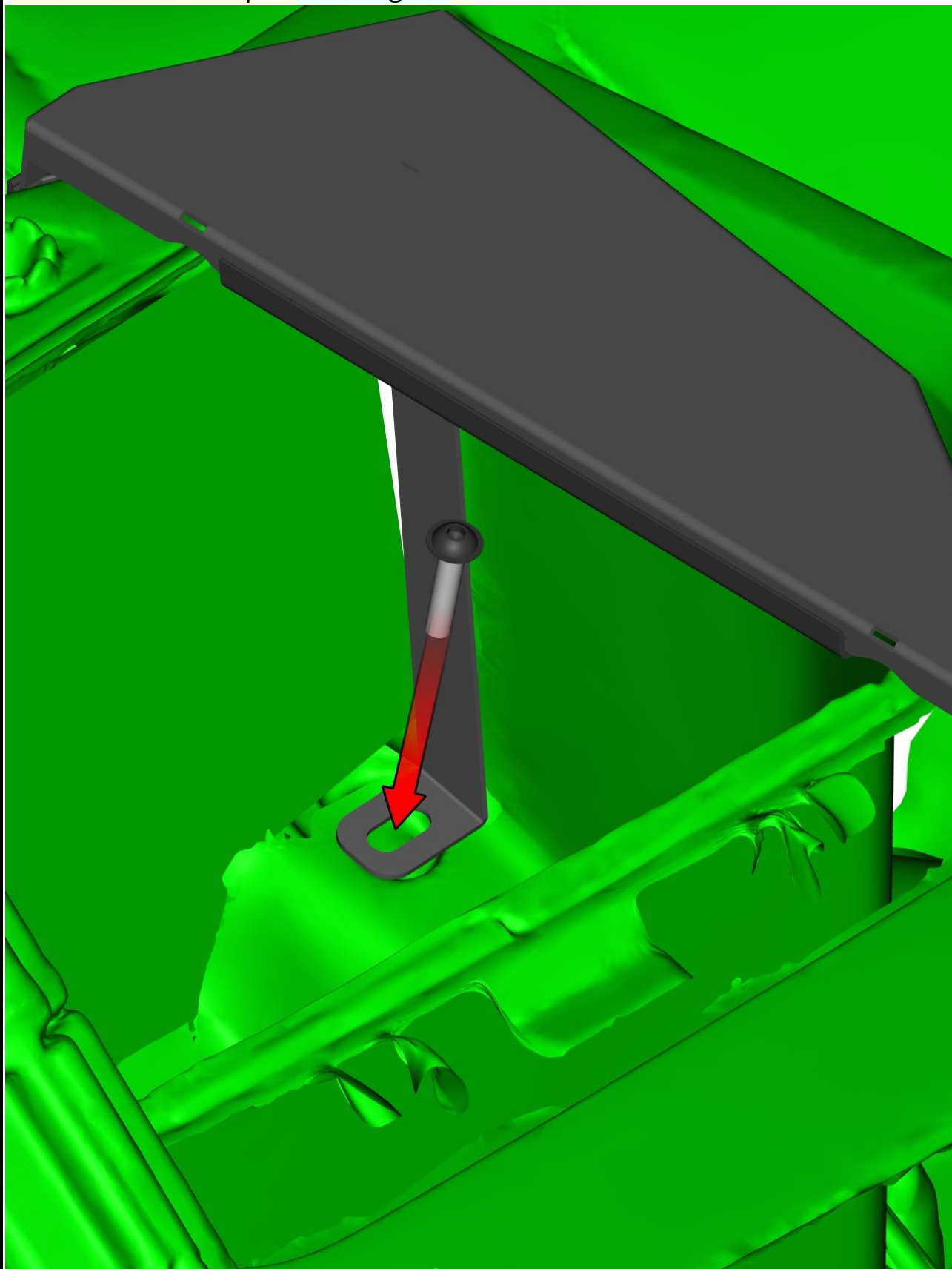


37

Place the left part of the glove box cover on the dashboard in accordance with original screw position (note: glove box cover is a part of the right door)

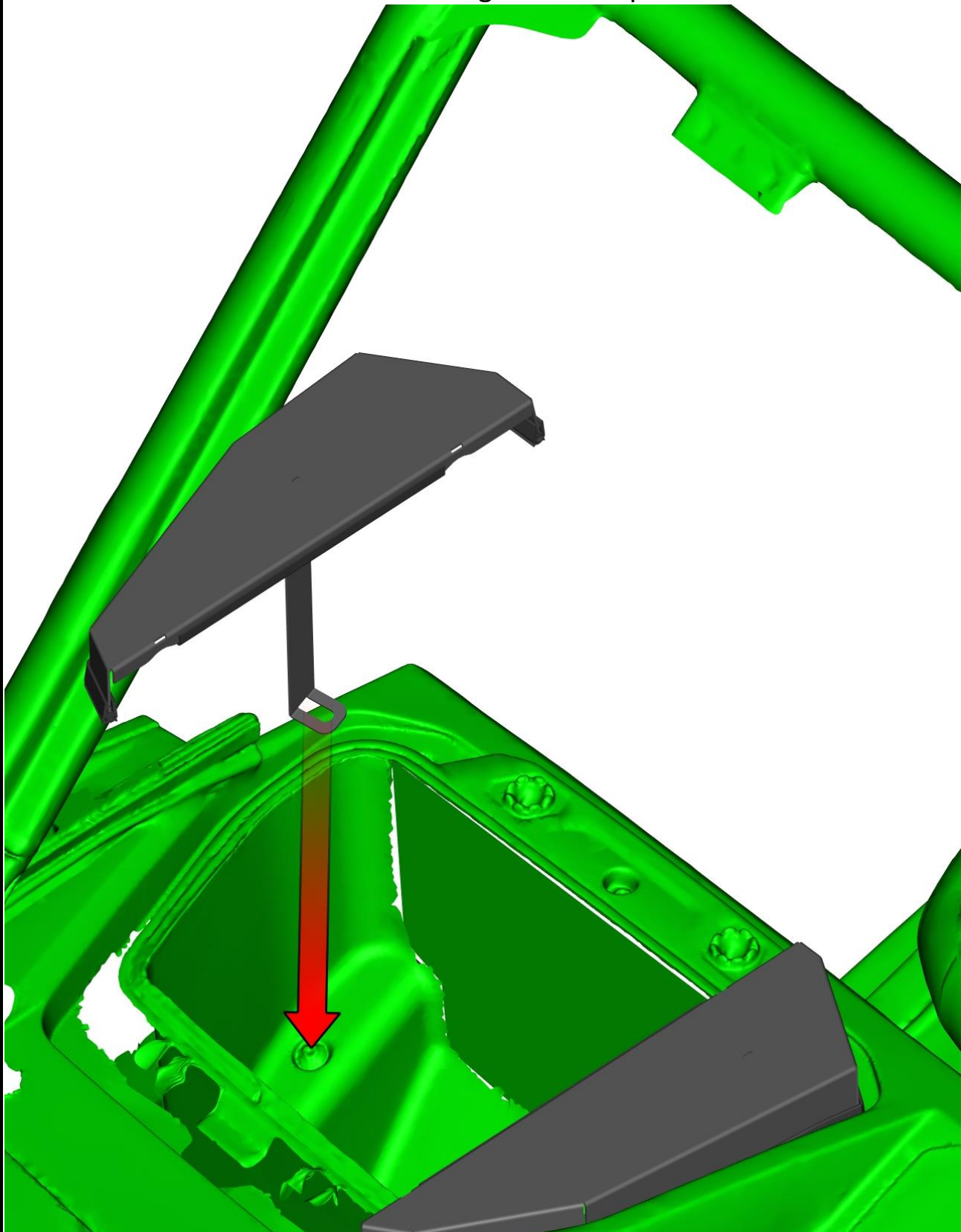


Fix the left part of the glove box cover with included screw.

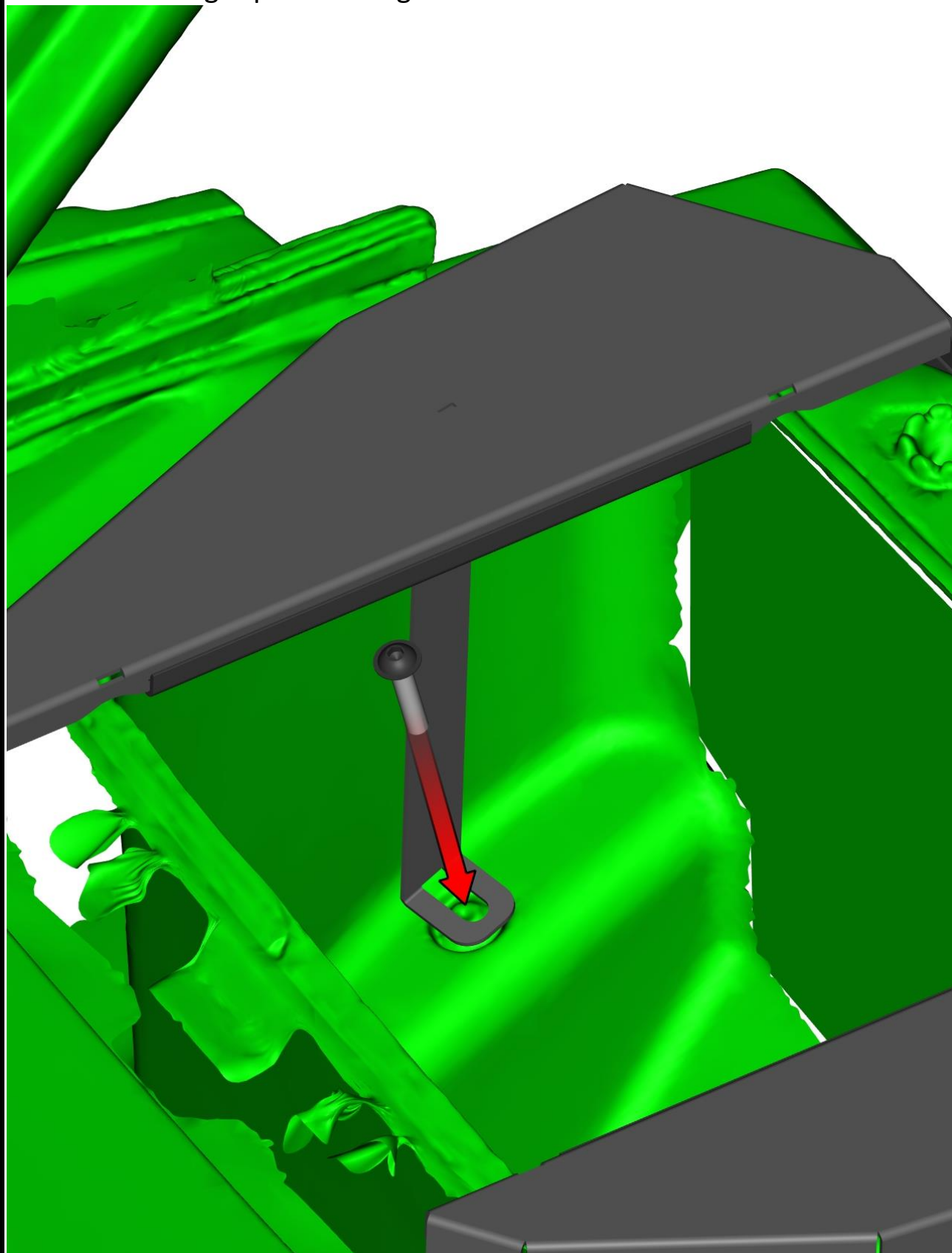


39

Place the right part of the glove box cover on the dashboard in accordance with original screw position.

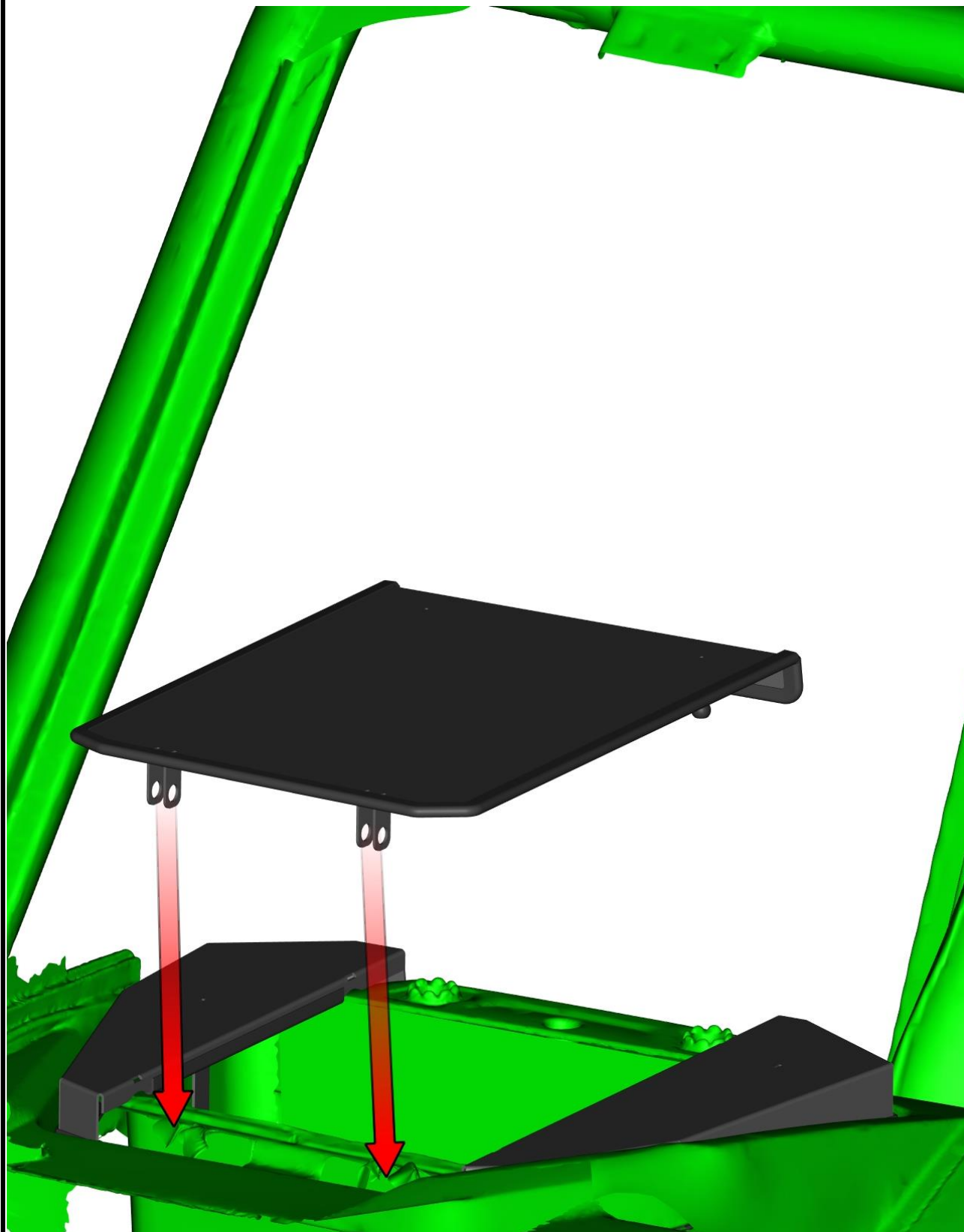


Fix the right part of the glove box cover with included screw.

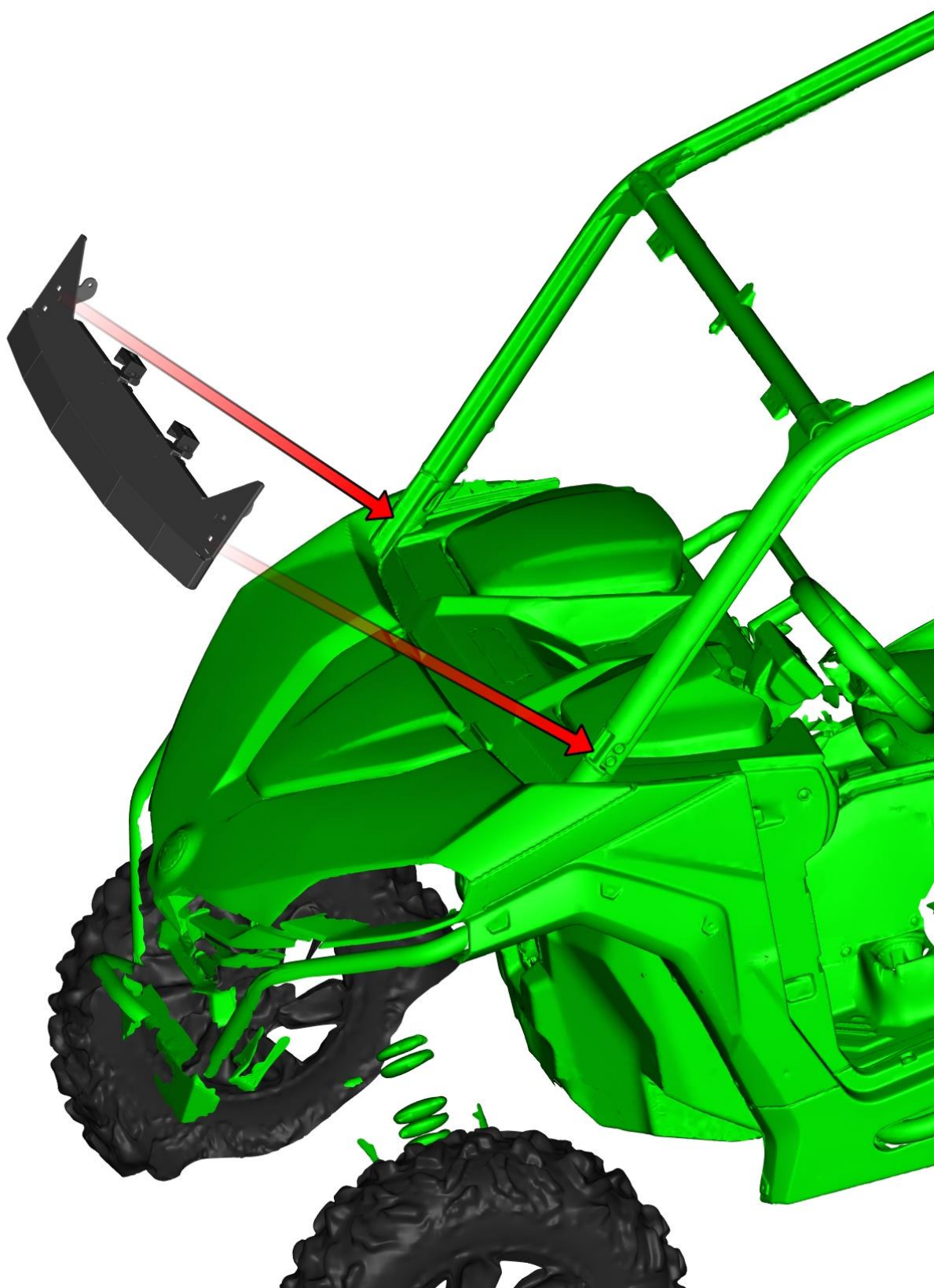


41

Click the center part of the glove box cover to the original plastic glove box cover holders.



Place the front bottom ledge onto the UTV roll cage and the UTV body.

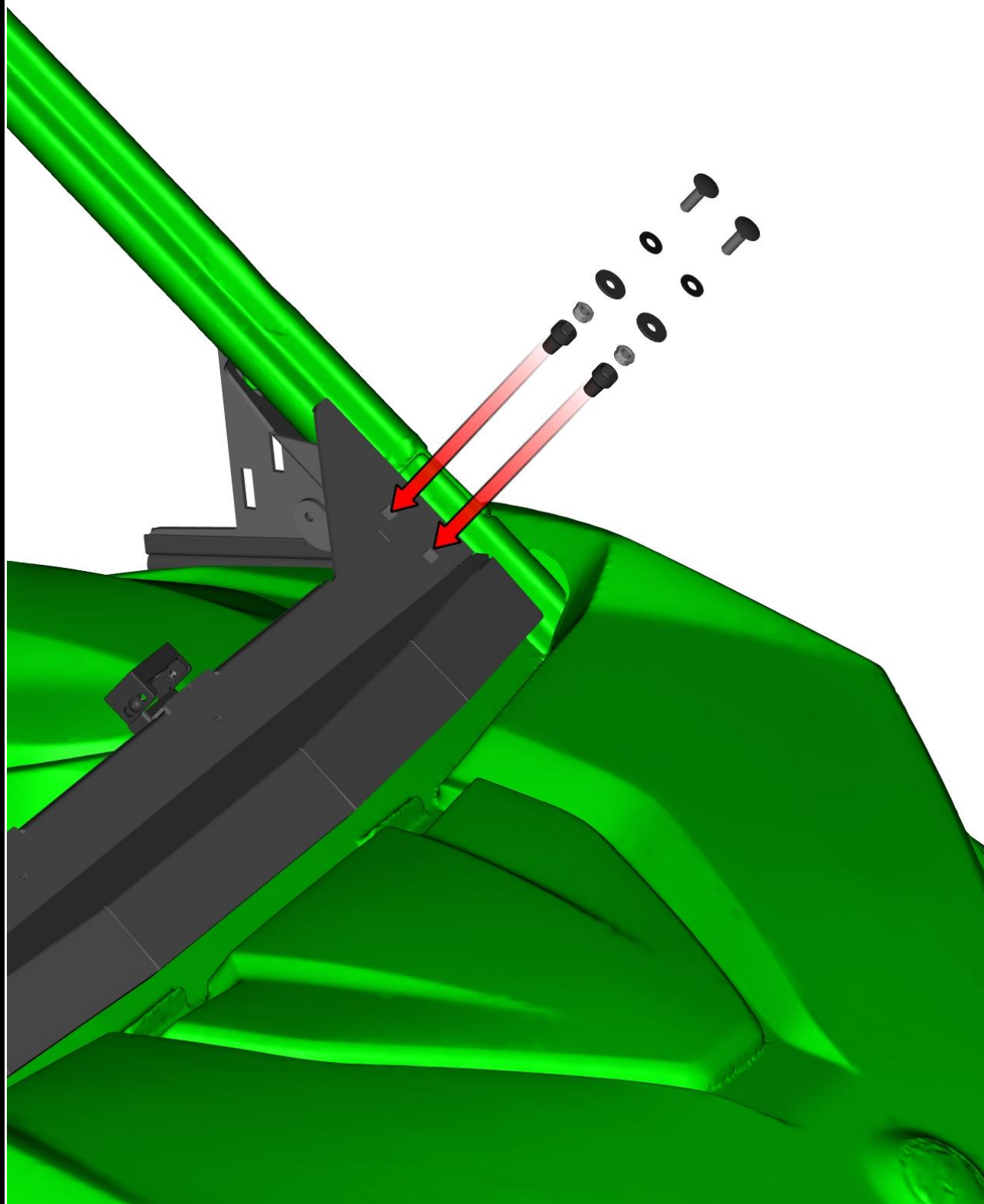


43

Place the front bottom ledge holders onto the front bottom ledge in accordance with the holes on both sides.

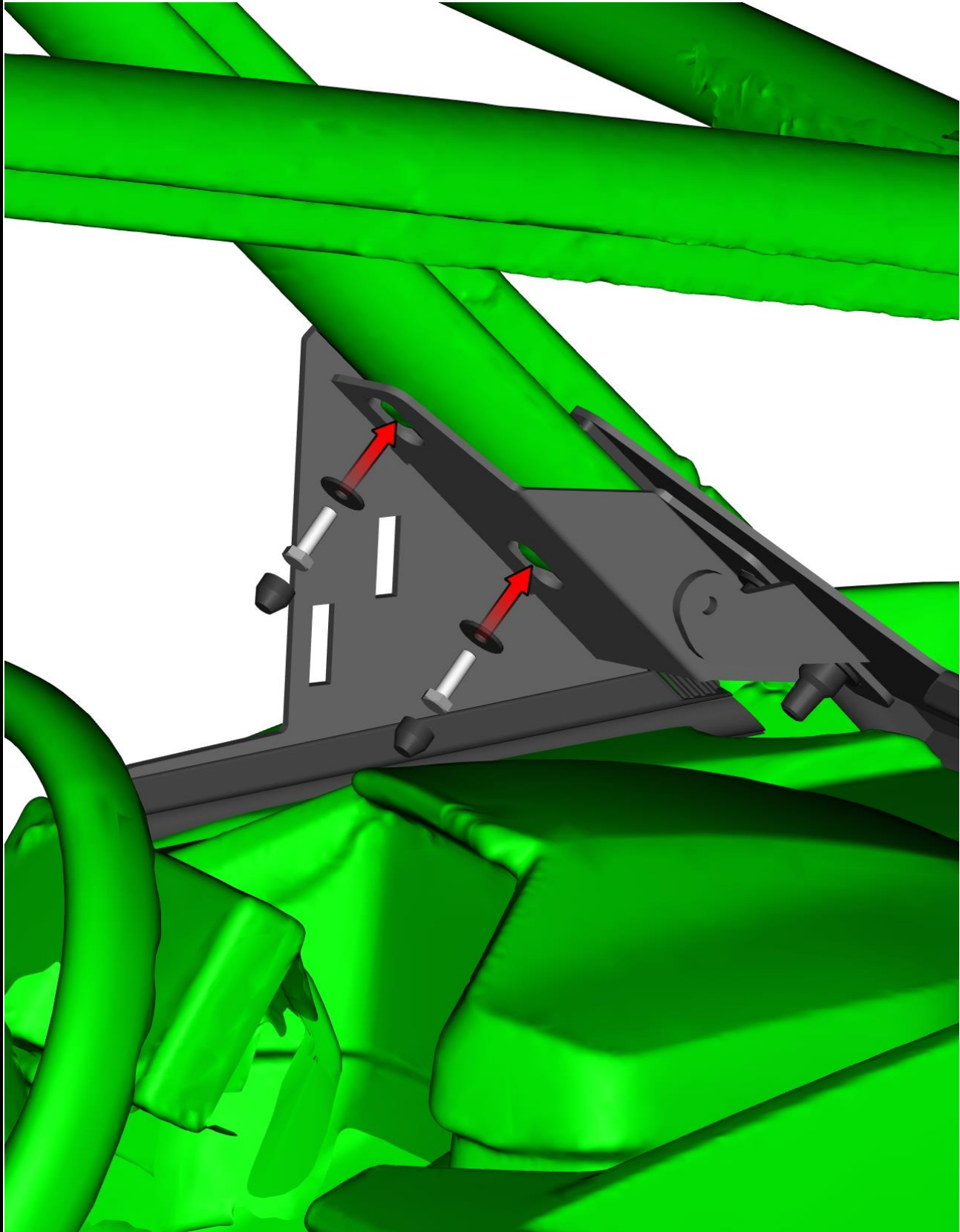


Attach the front bottom ledge holders to the front bottom ledge with included fixing assemblies on both sides.



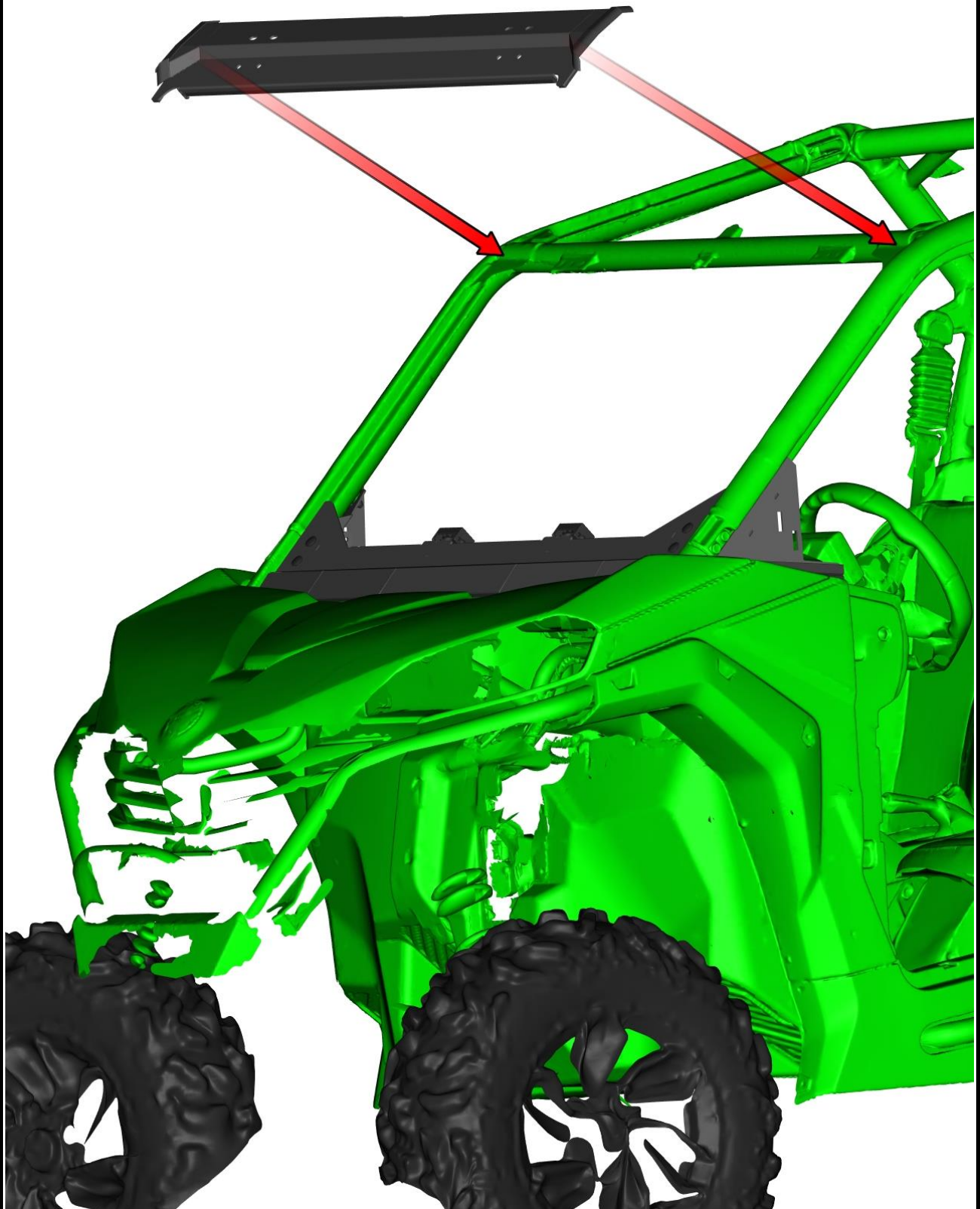
45

Attach the front bottom ledge holders to the UTV frame with included fixing assemblies on both sides.



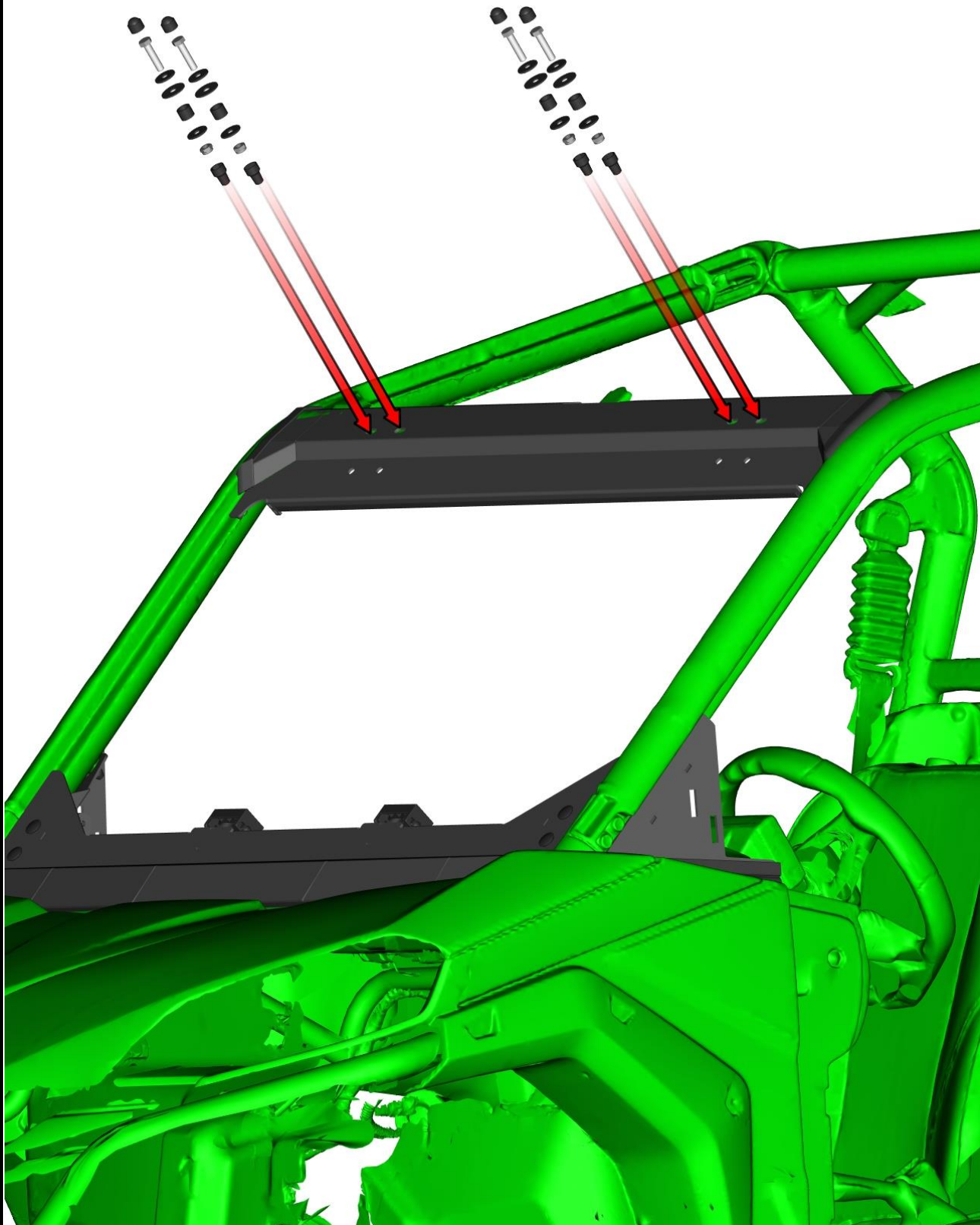
46

Place the front upper ledge onto the UTV roll cage in accordance with the original holes.



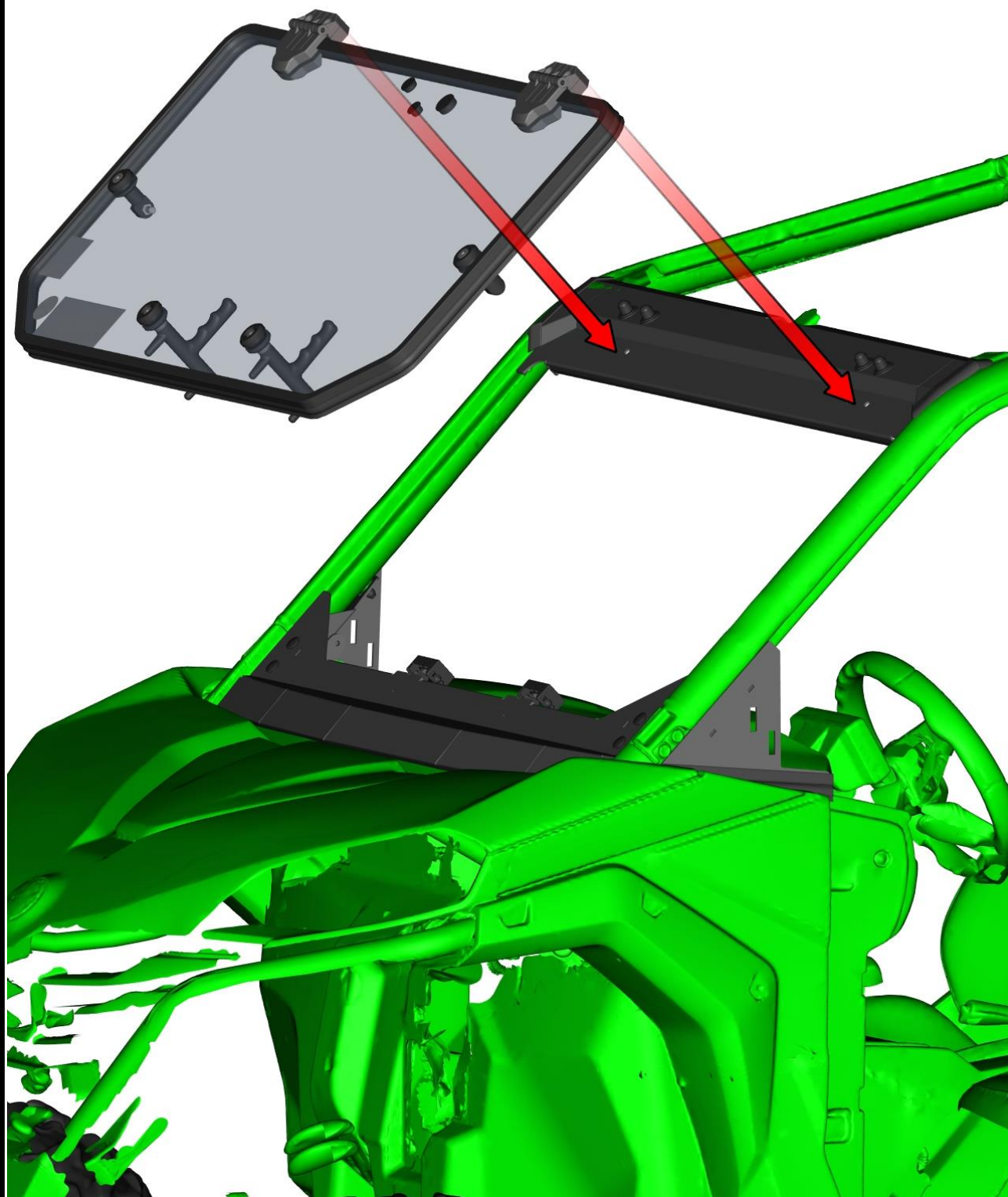
47

Attach the front upper ledge to the UTV frame with included fixing assemblies.



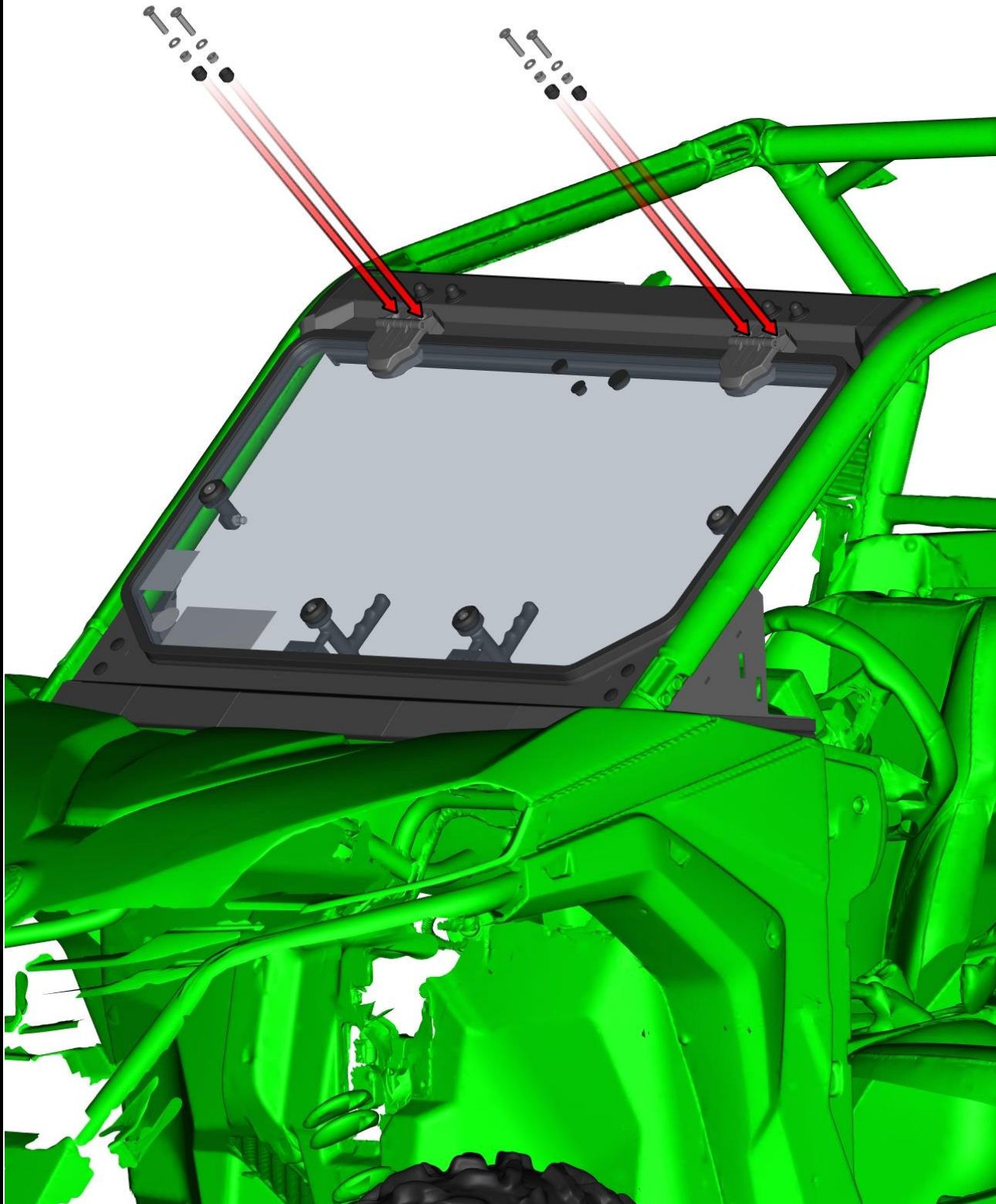
48

Place the front glass assembly on the upper ledge in accordance with the holes.

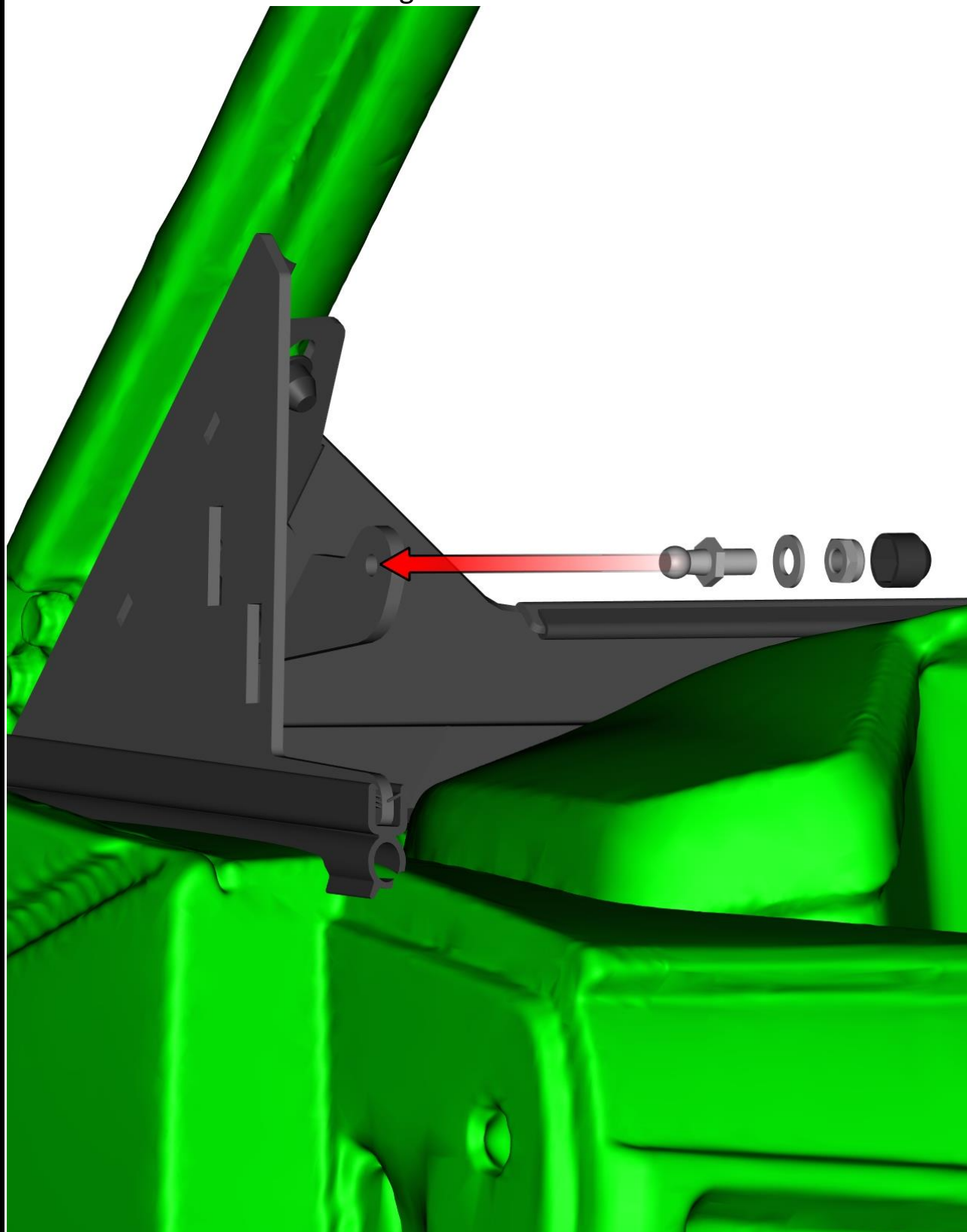


49

Fix the front glass assembly hinges with the front upper ledge by included bolts, washers, nuts and covers.

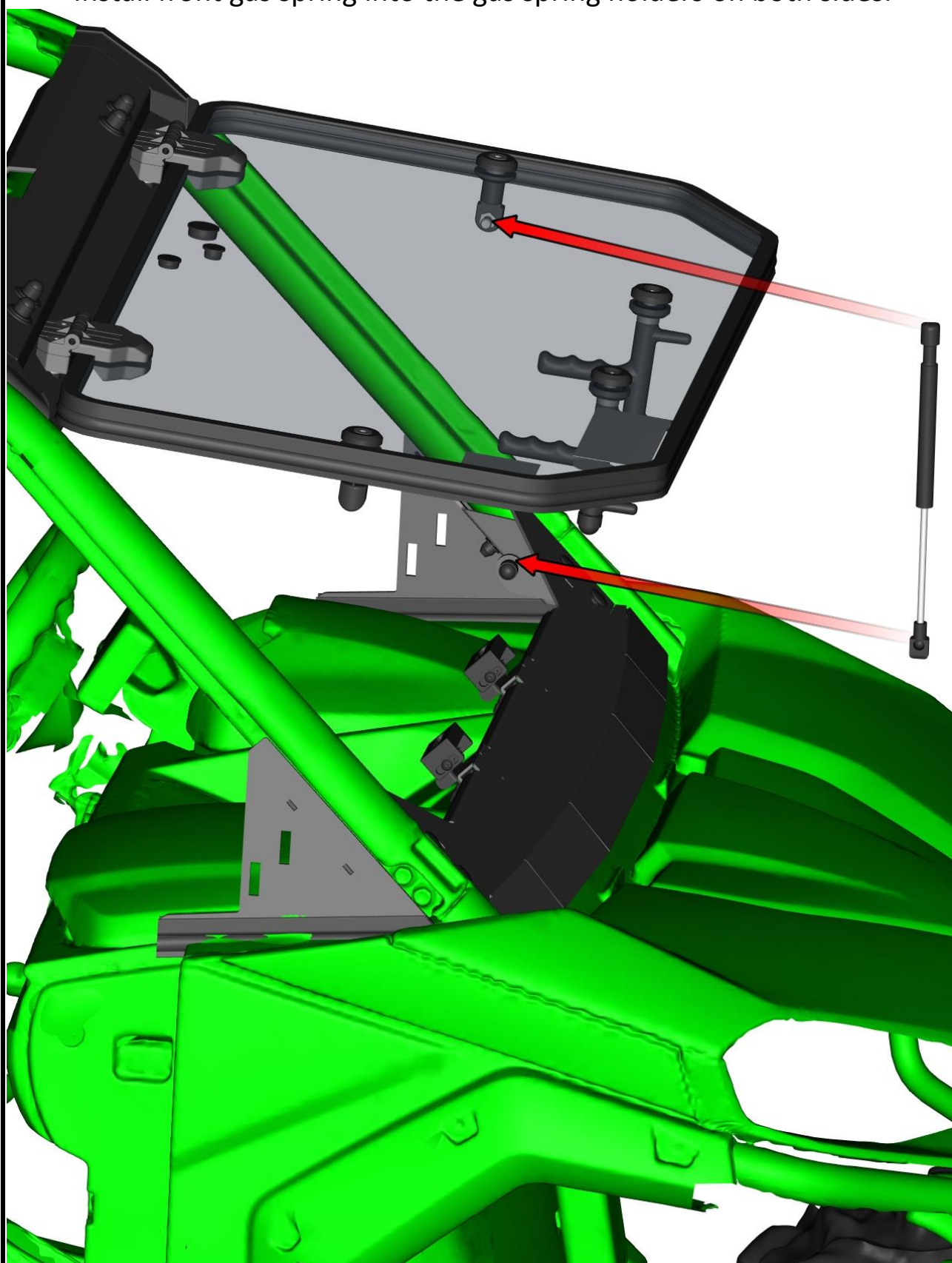


Install the gas spring pin into the gas spring holder on the front bottom ledge on both sides.



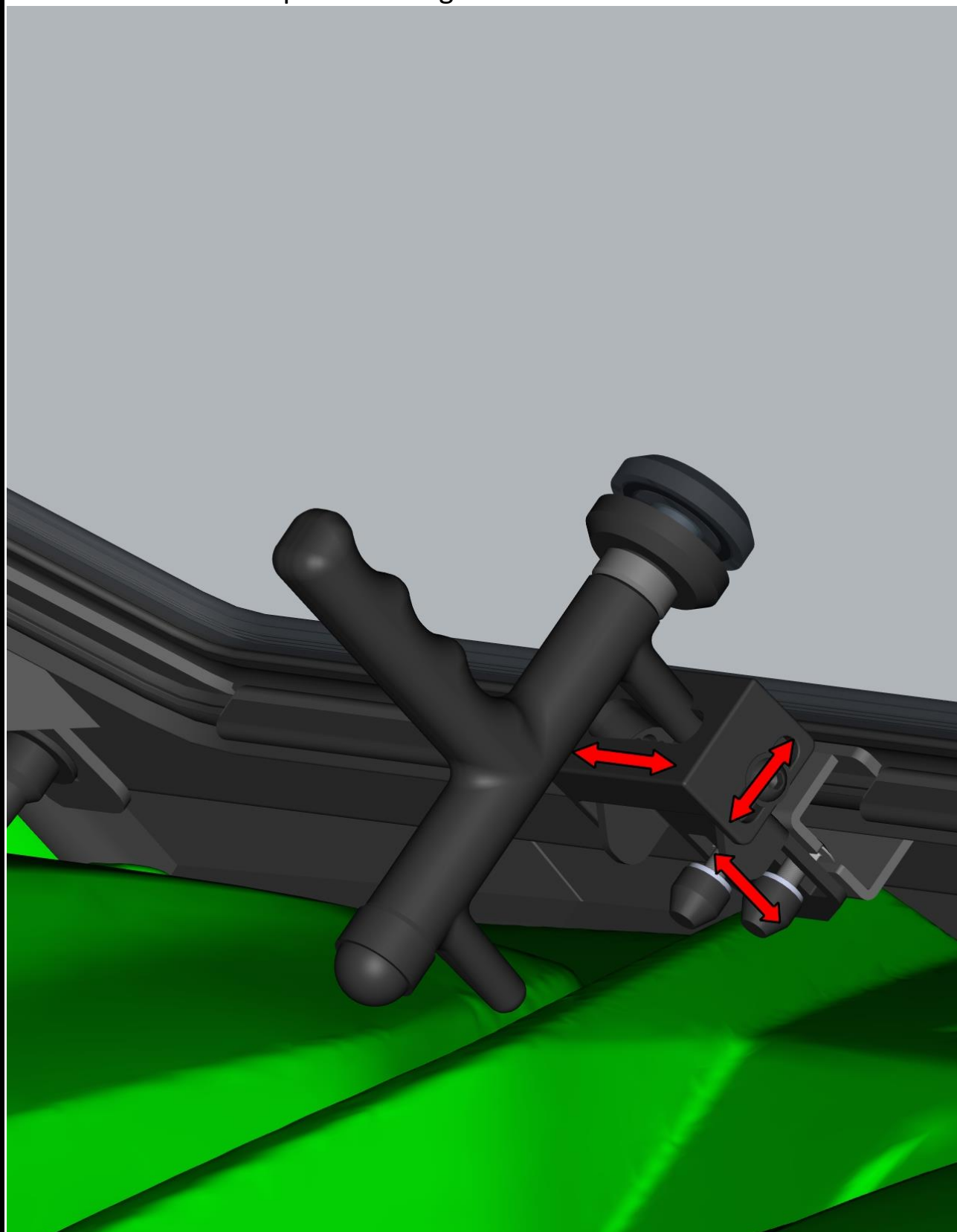
51

Install front gas spring into the gas spring holders on both sides.



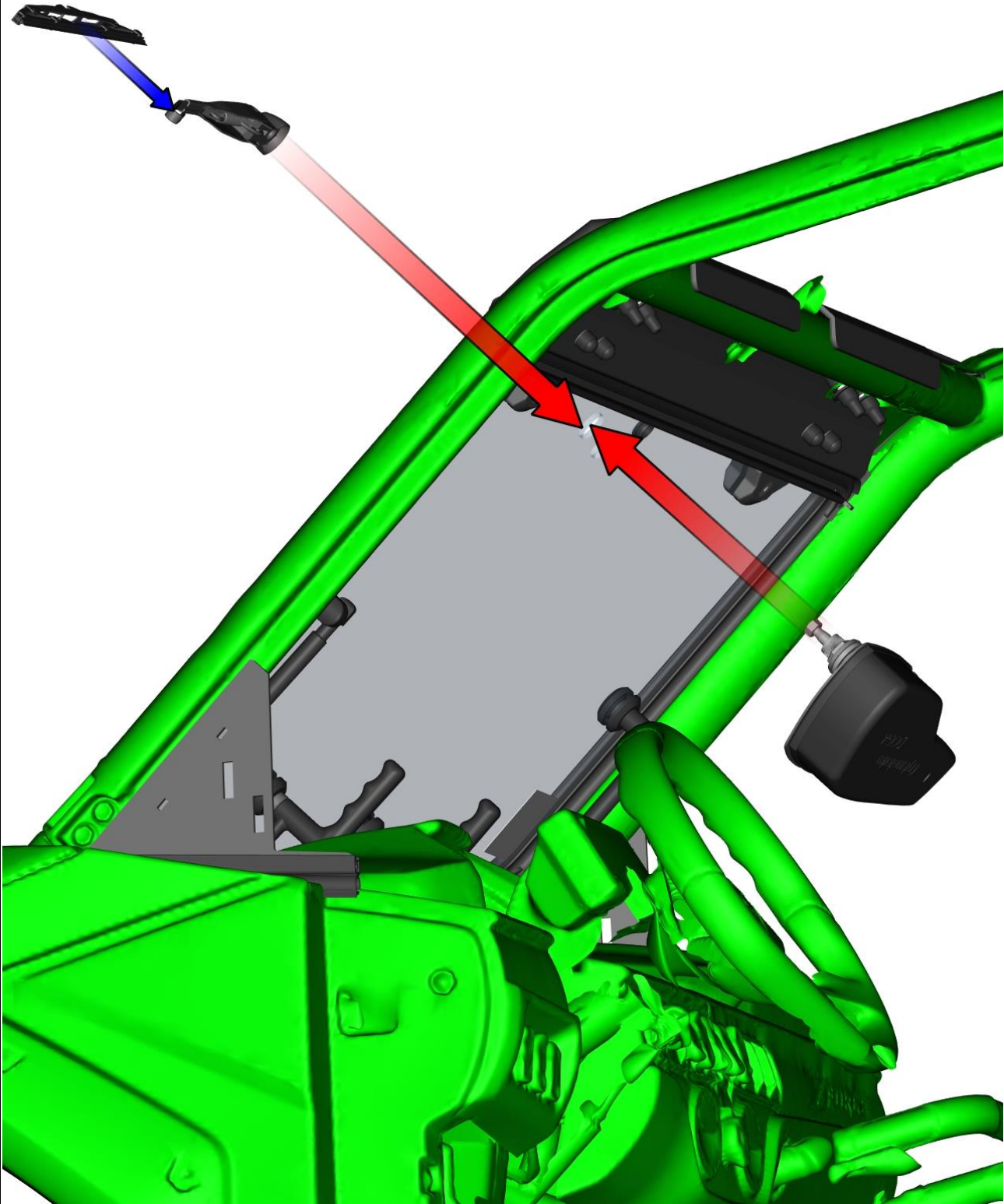
52

Loosen screws on glass stop assembly and adjust the glass stop to the best position for glass lock on both sides.



53

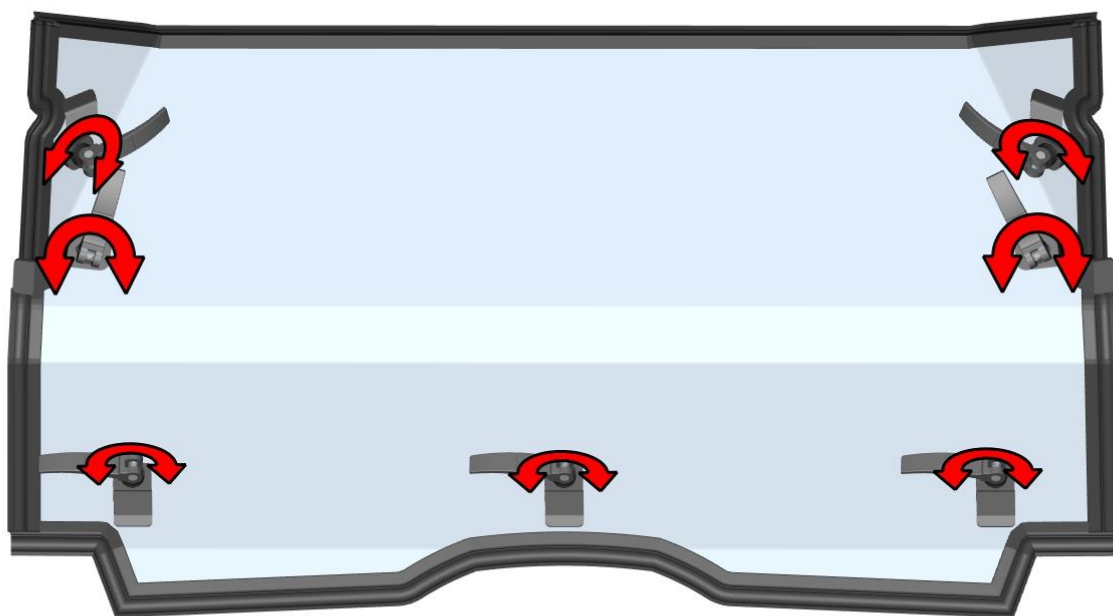
Install the wiper assembly onto the windshield.



54

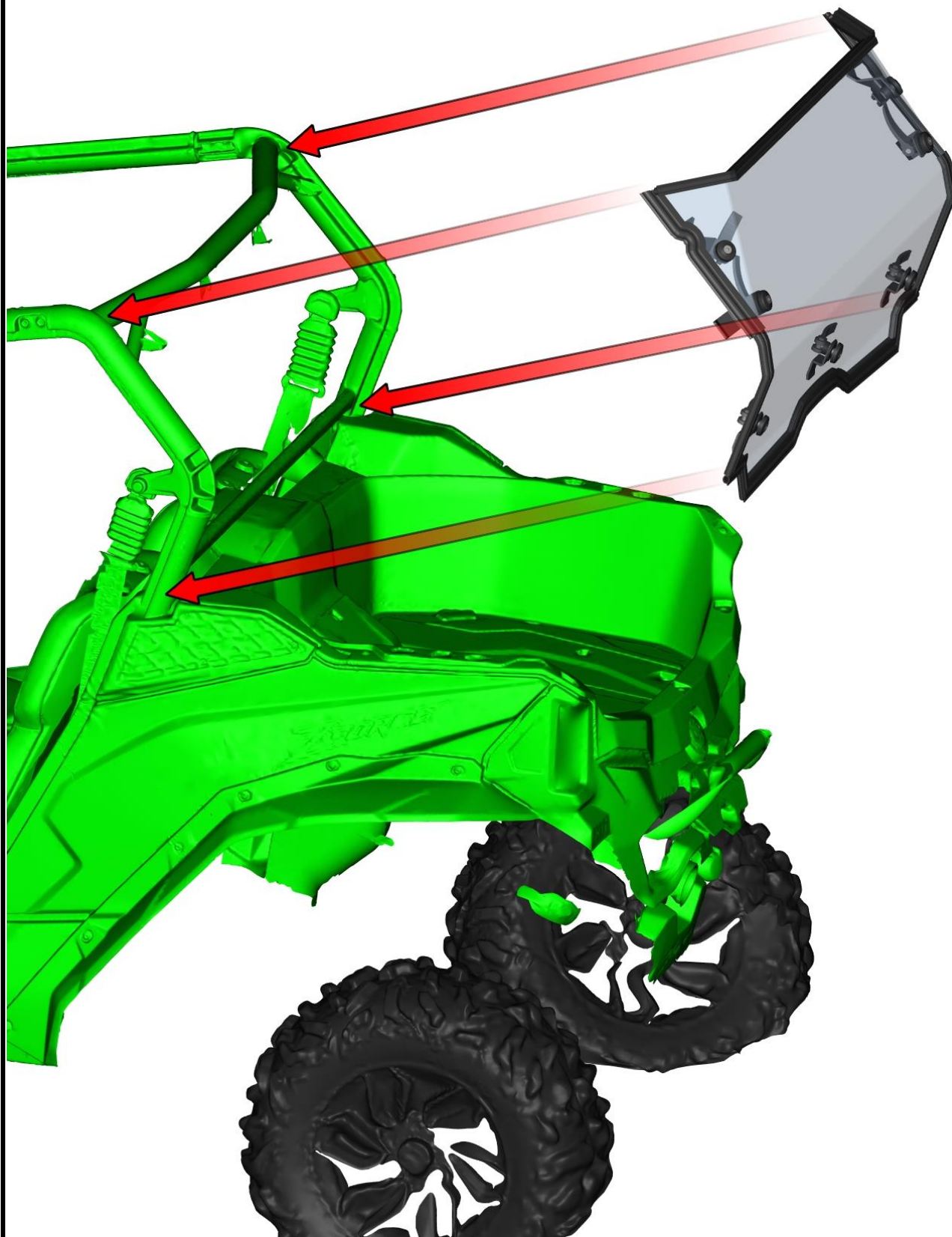
REAR PANEL

Loosen the clamping levers and turn the rear panel holders to the neutral position.



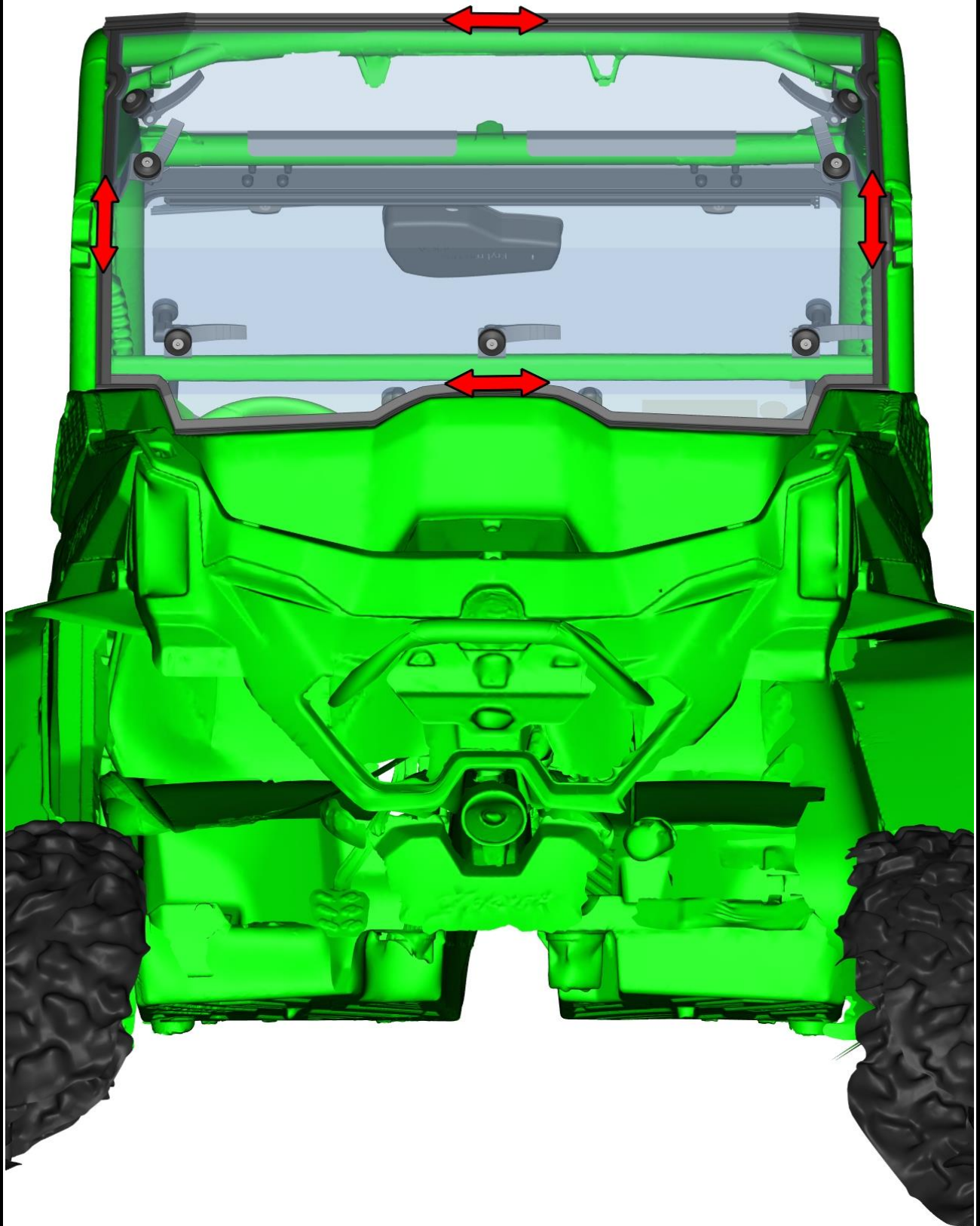
55

Place the rear panel on the UTV frame.



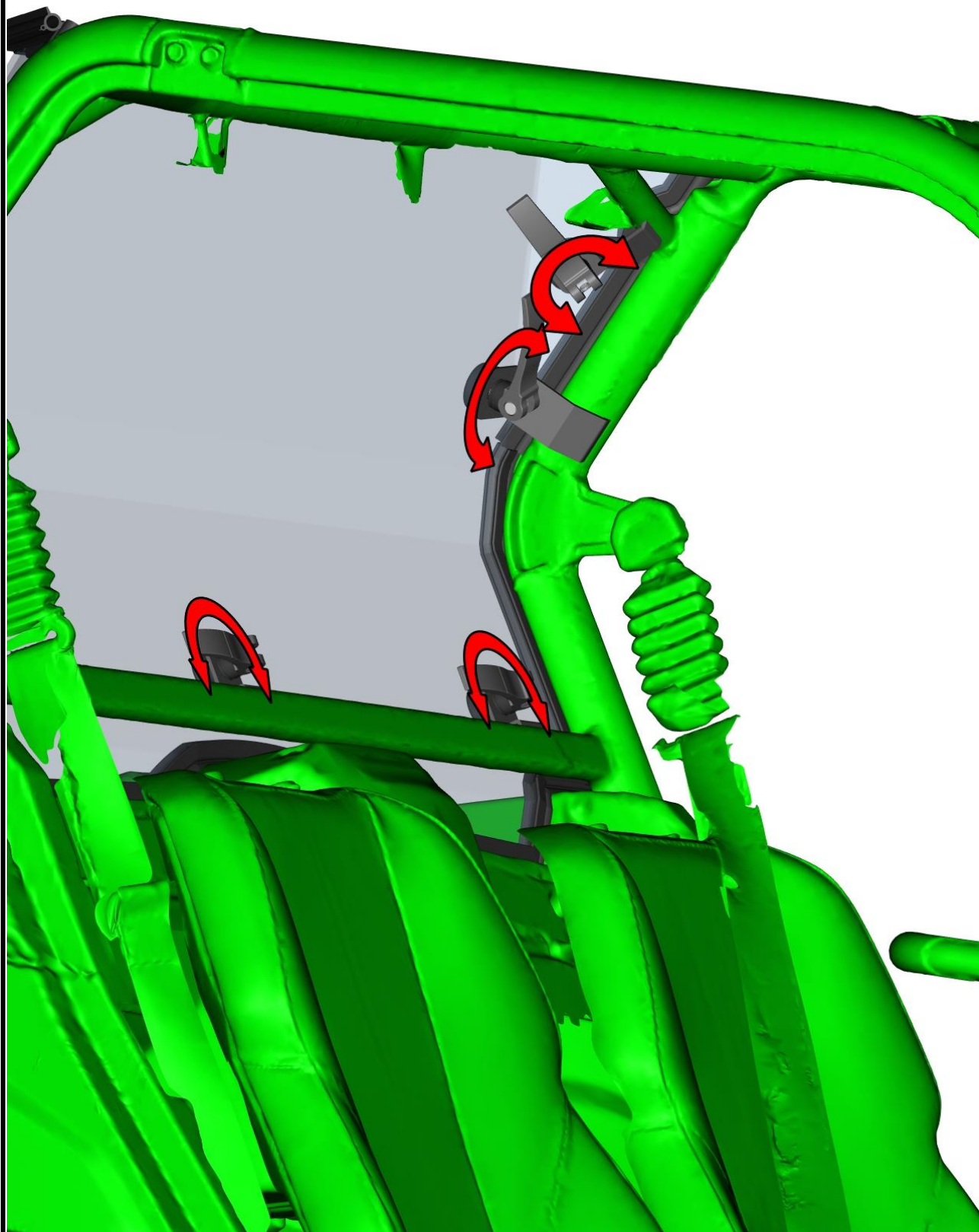
56

Adjust the rear panel assembly to the best position.



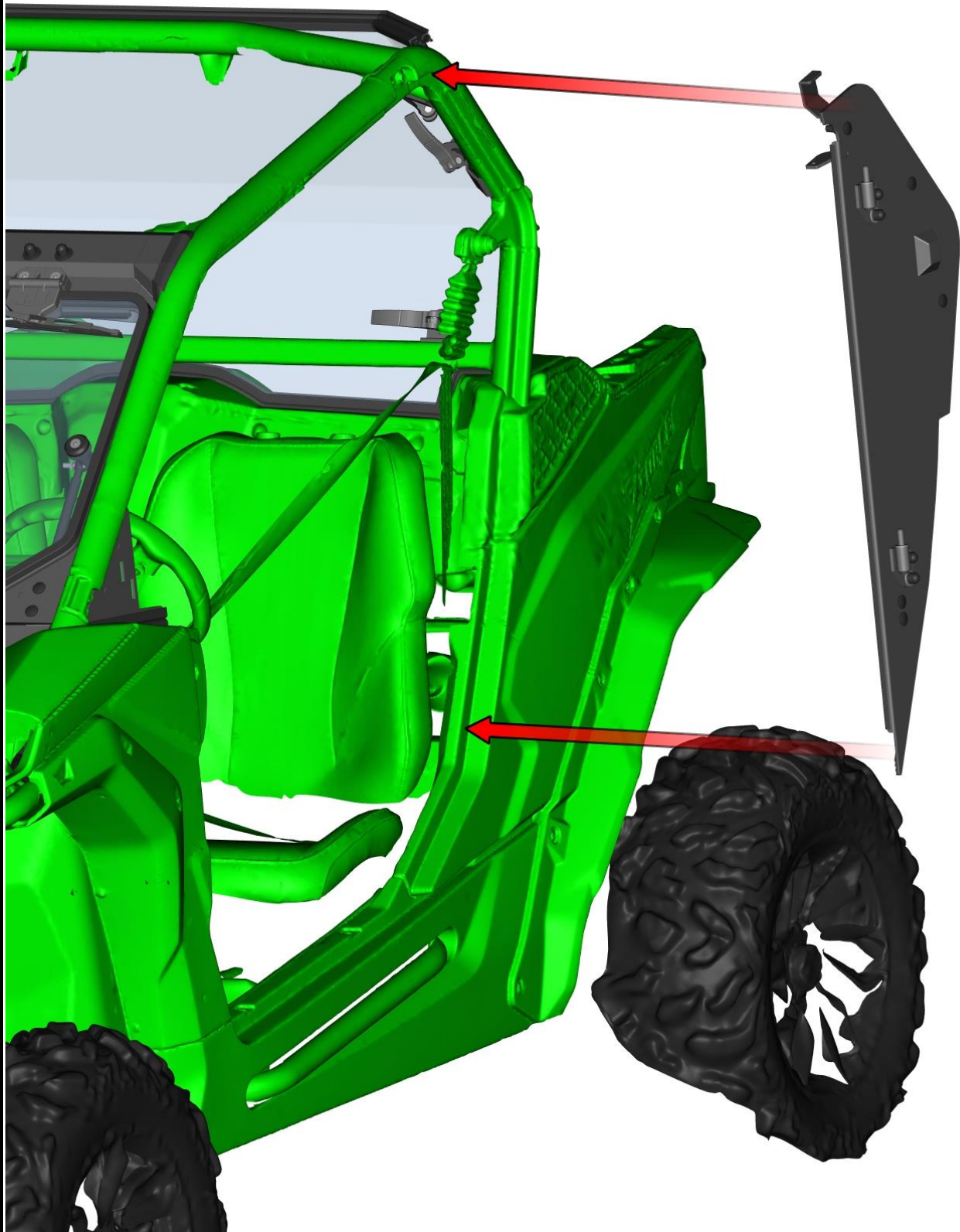
57

Turn the rear panel holders to the correct position and tighten the clamping levers on both sides.



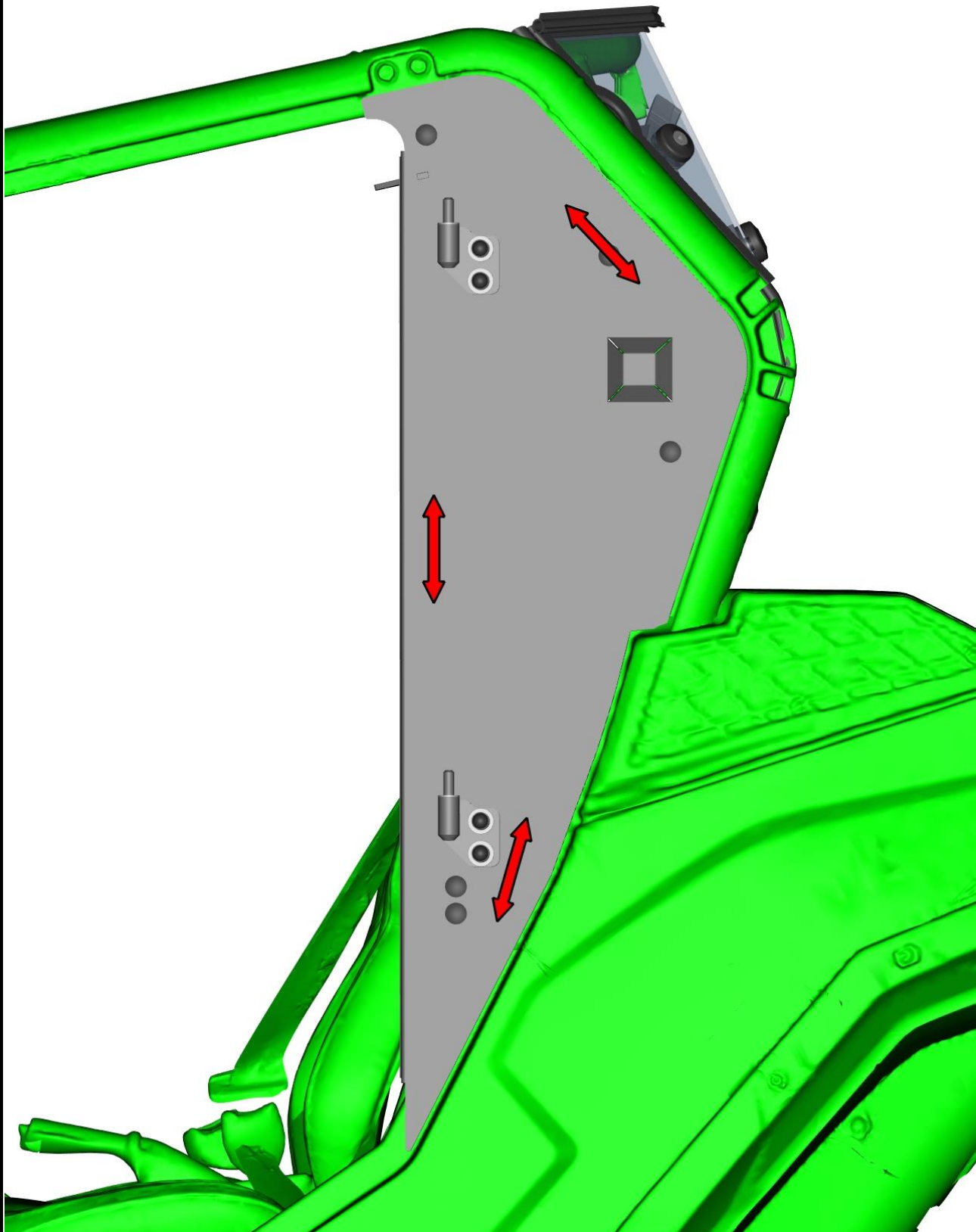
LEFT DOOR + RIGHT DOOR

Place the left door base assembly onto the UTV frame.

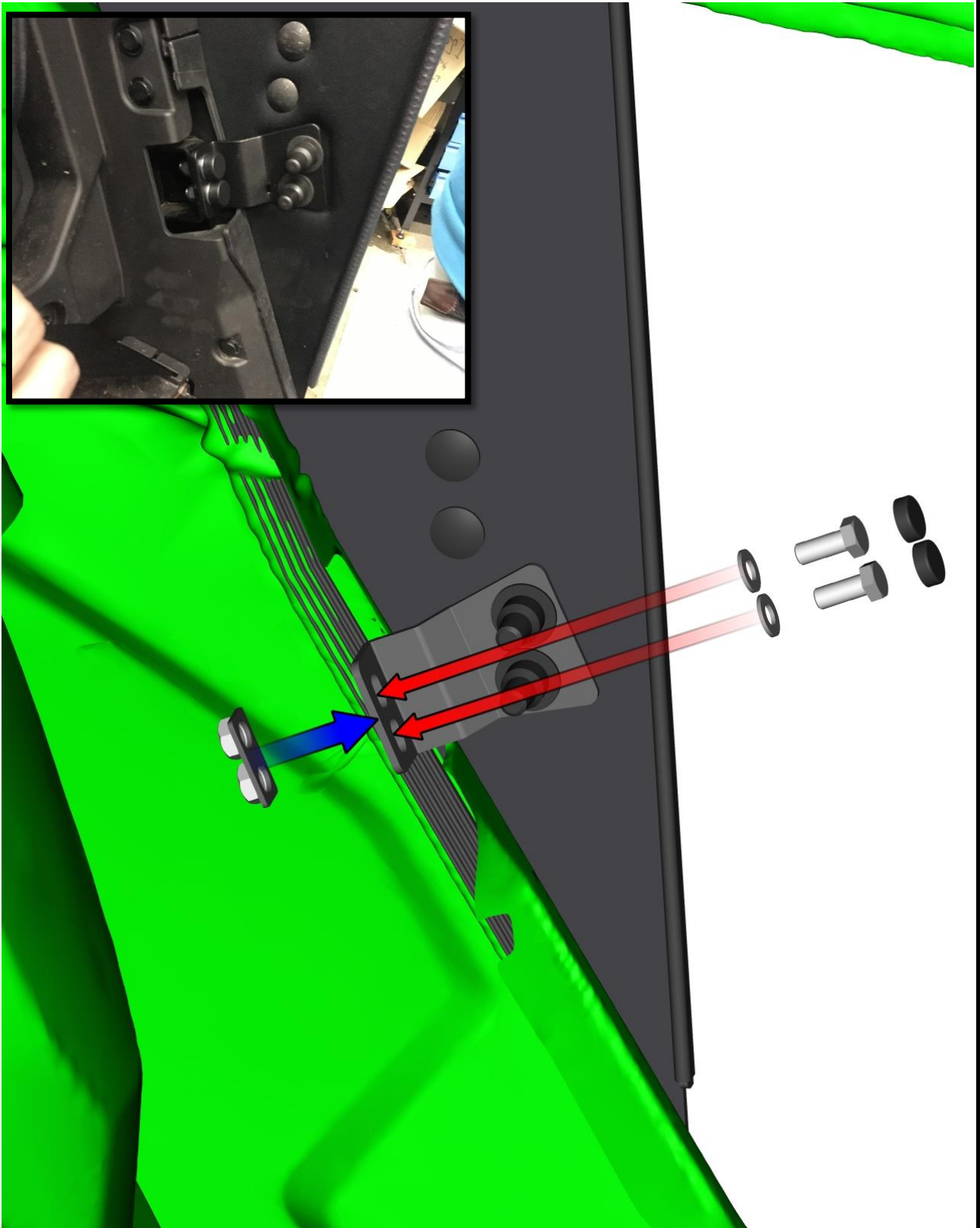


59

Adjust the left door base assembly to the best position.

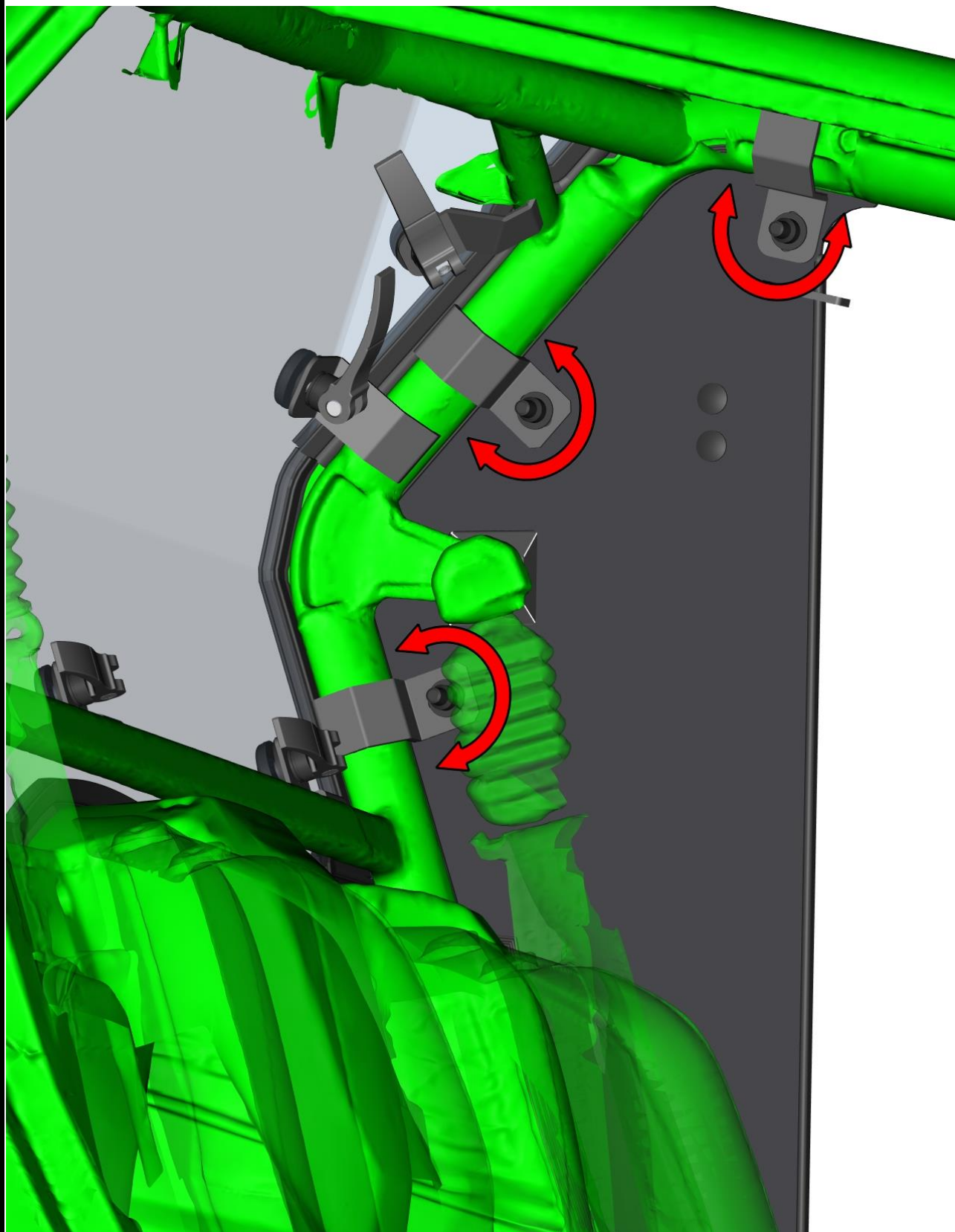


Attach the left door base bottom holder to the UTV frame with included fixing assemblies.

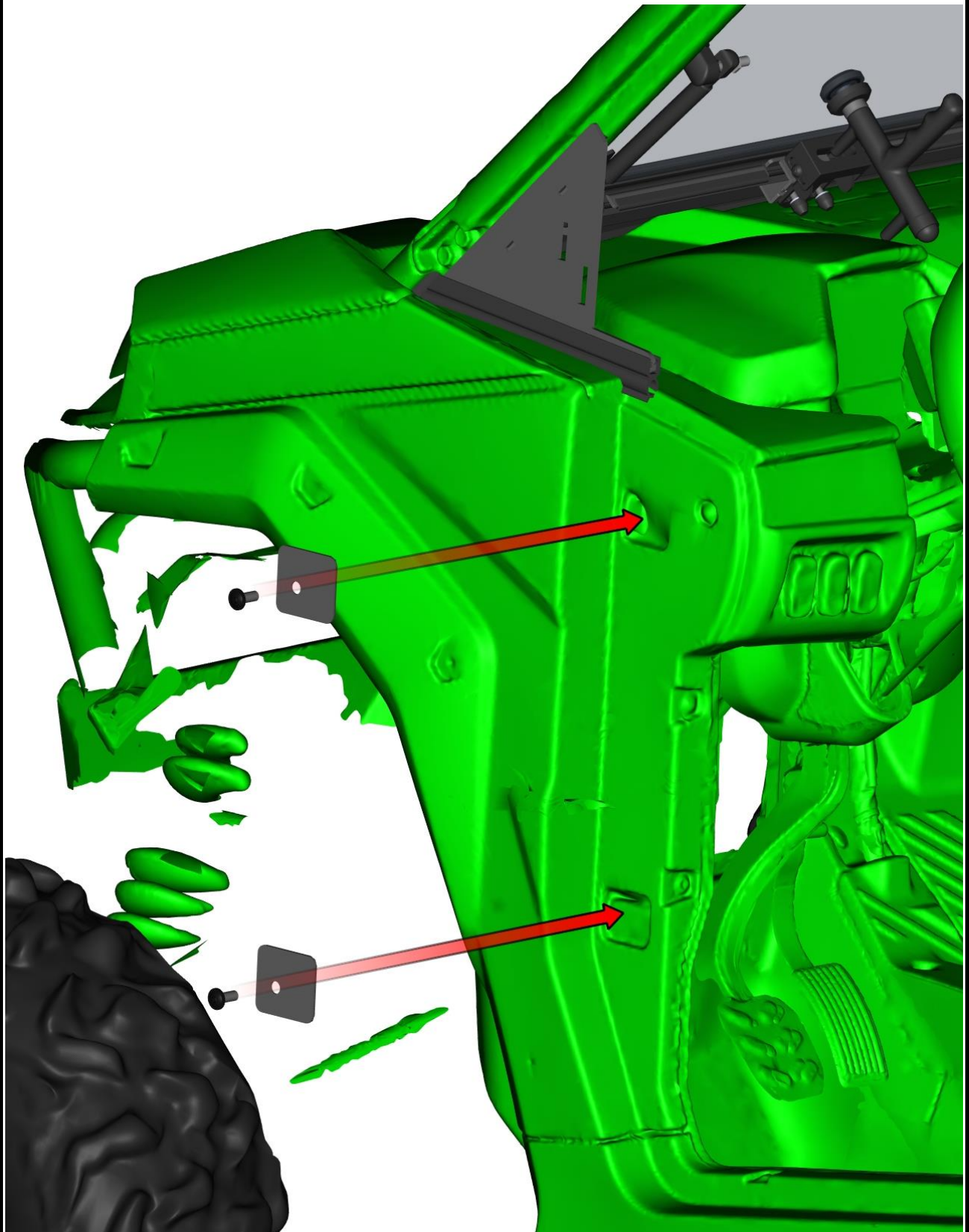


61

Turn the left door base holders to the correct position and tighten the screws.

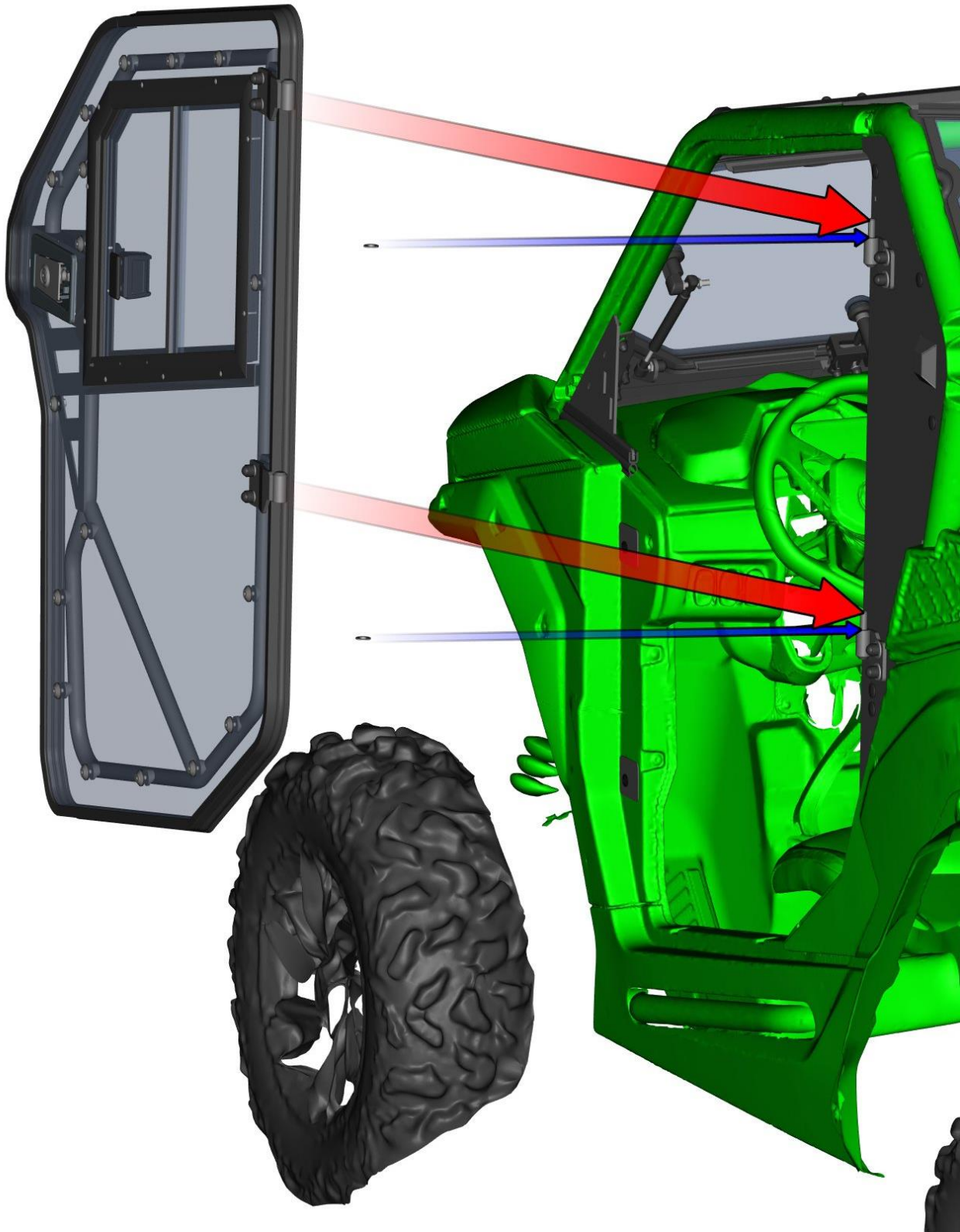


Mount the covers for original half door hinges holders with included screws.



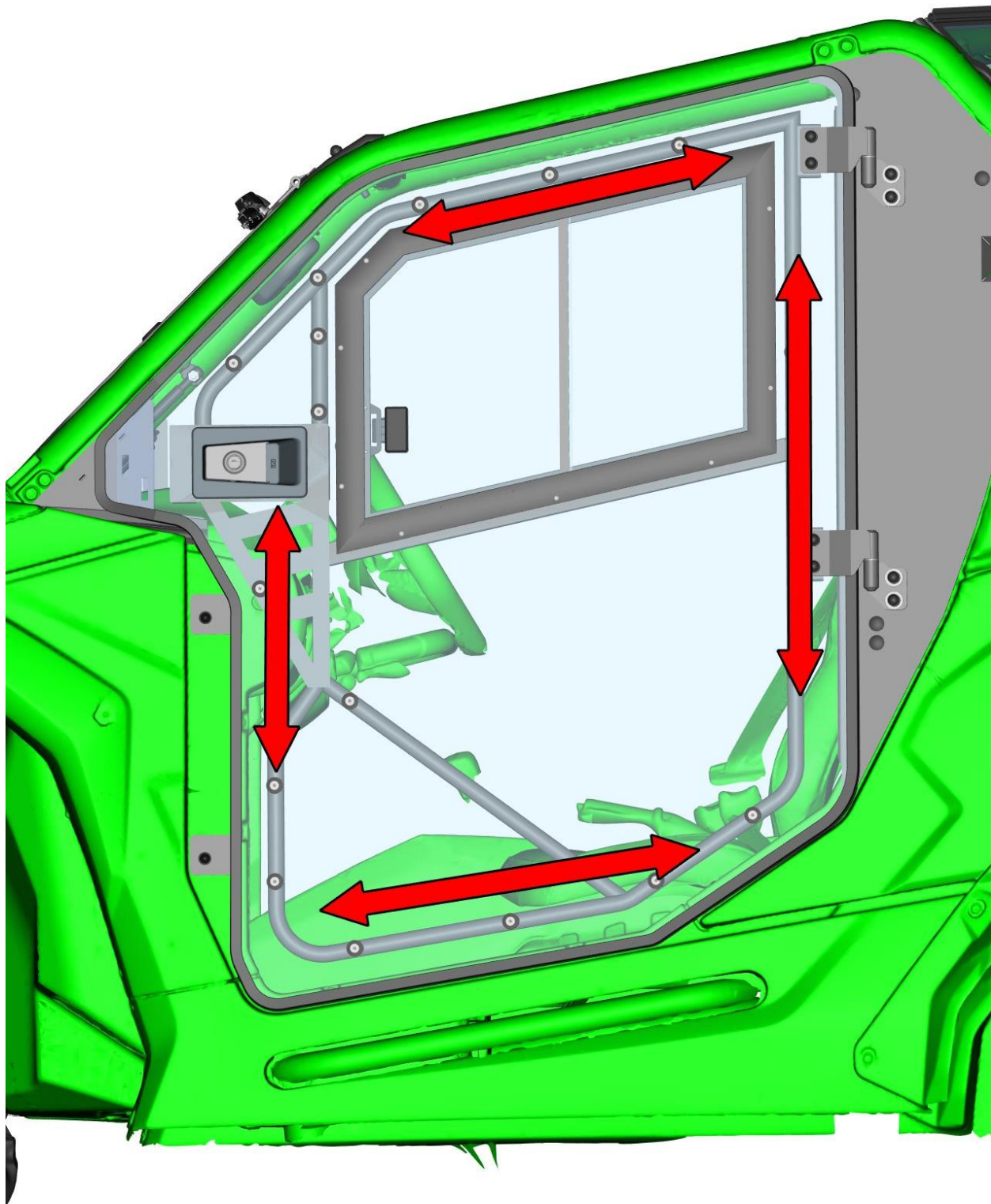
63

Install the washers onto the hinge's pins. Lubricate the hinges pins and install the left door assembly onto the hinges.



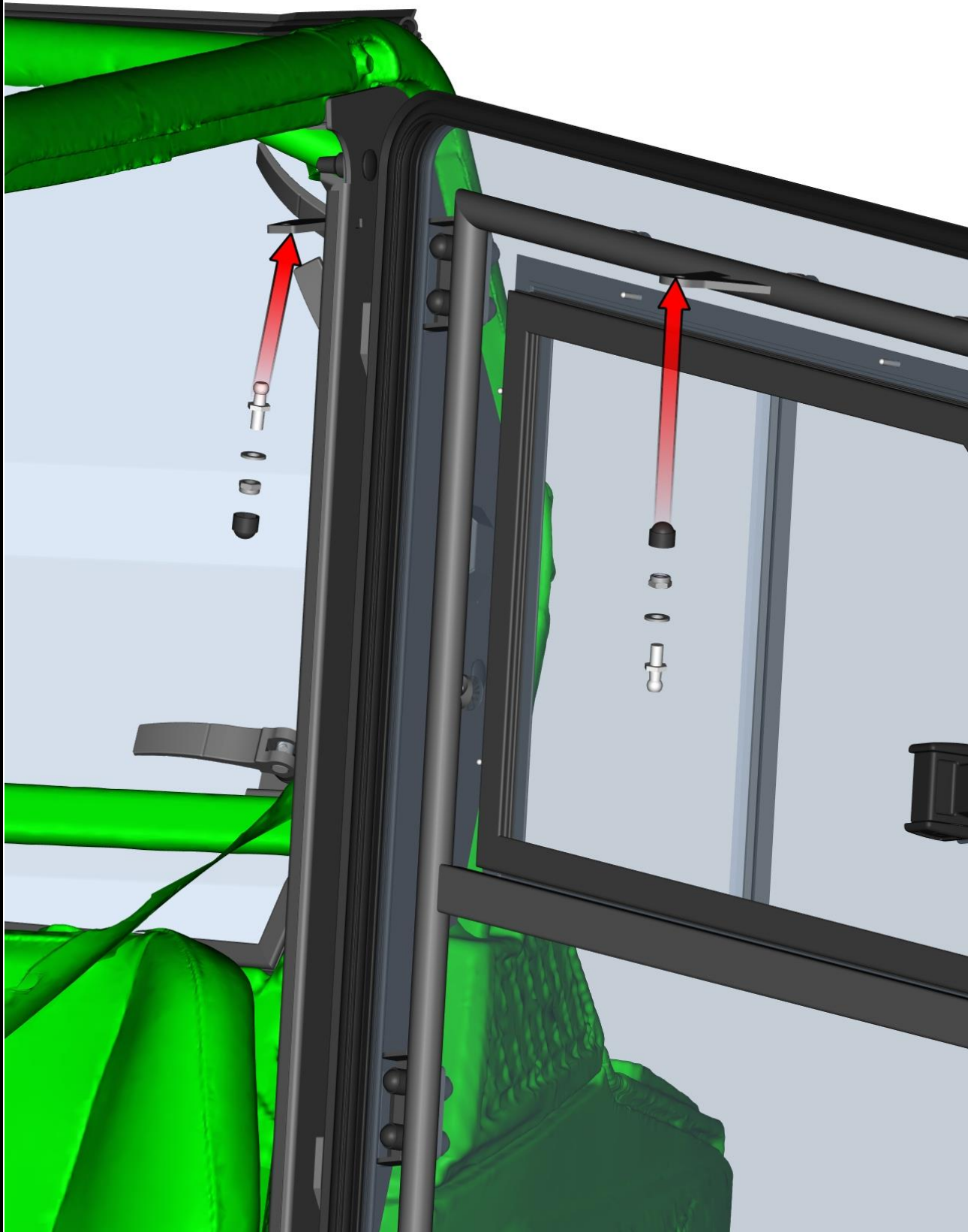
64

If necessary, loosen the door base hinges screws and adjust the left door to the best position. After the adjustment tighten the hinges screws hard.



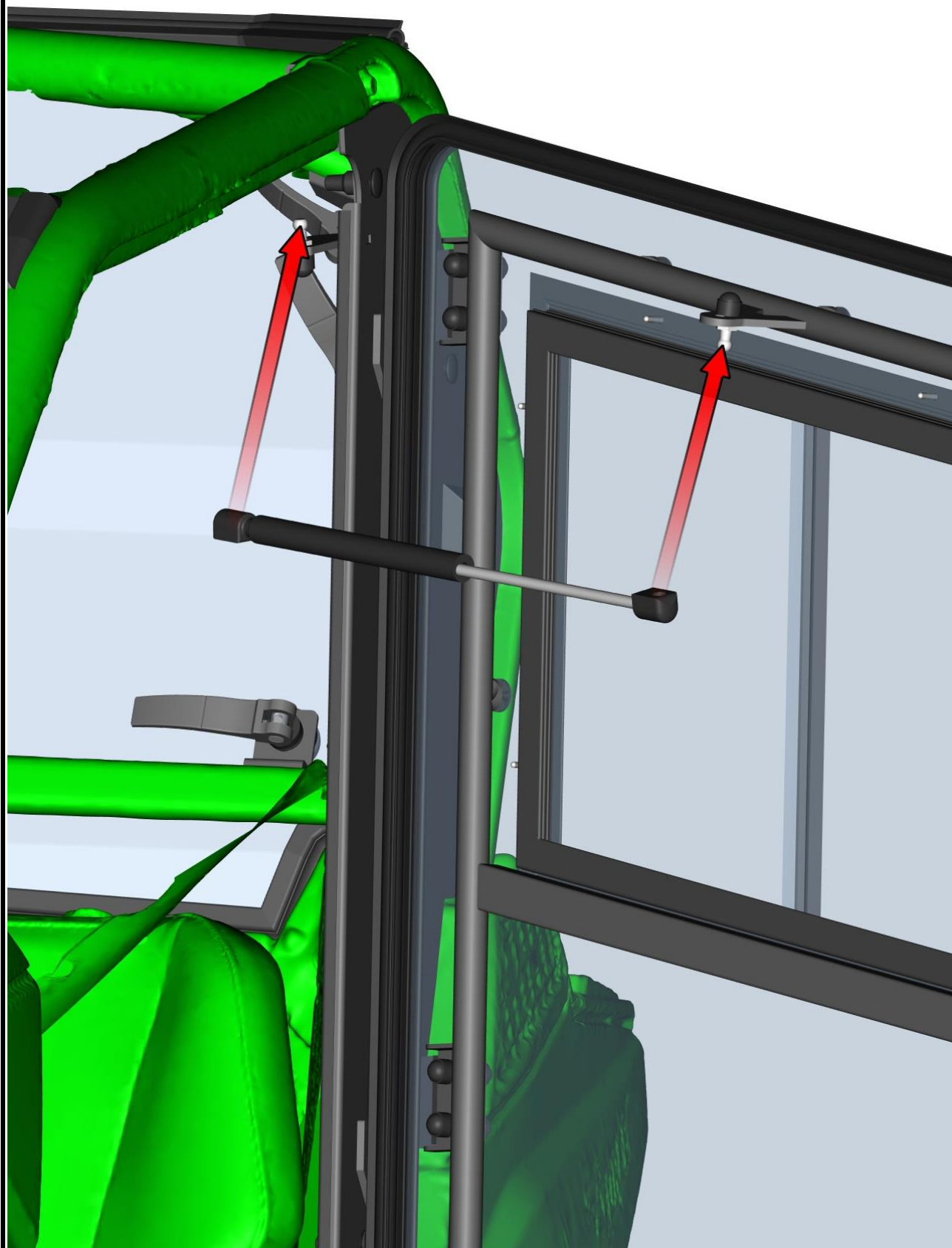
65

Mount the gas spring pins into the gas spring pins holders.



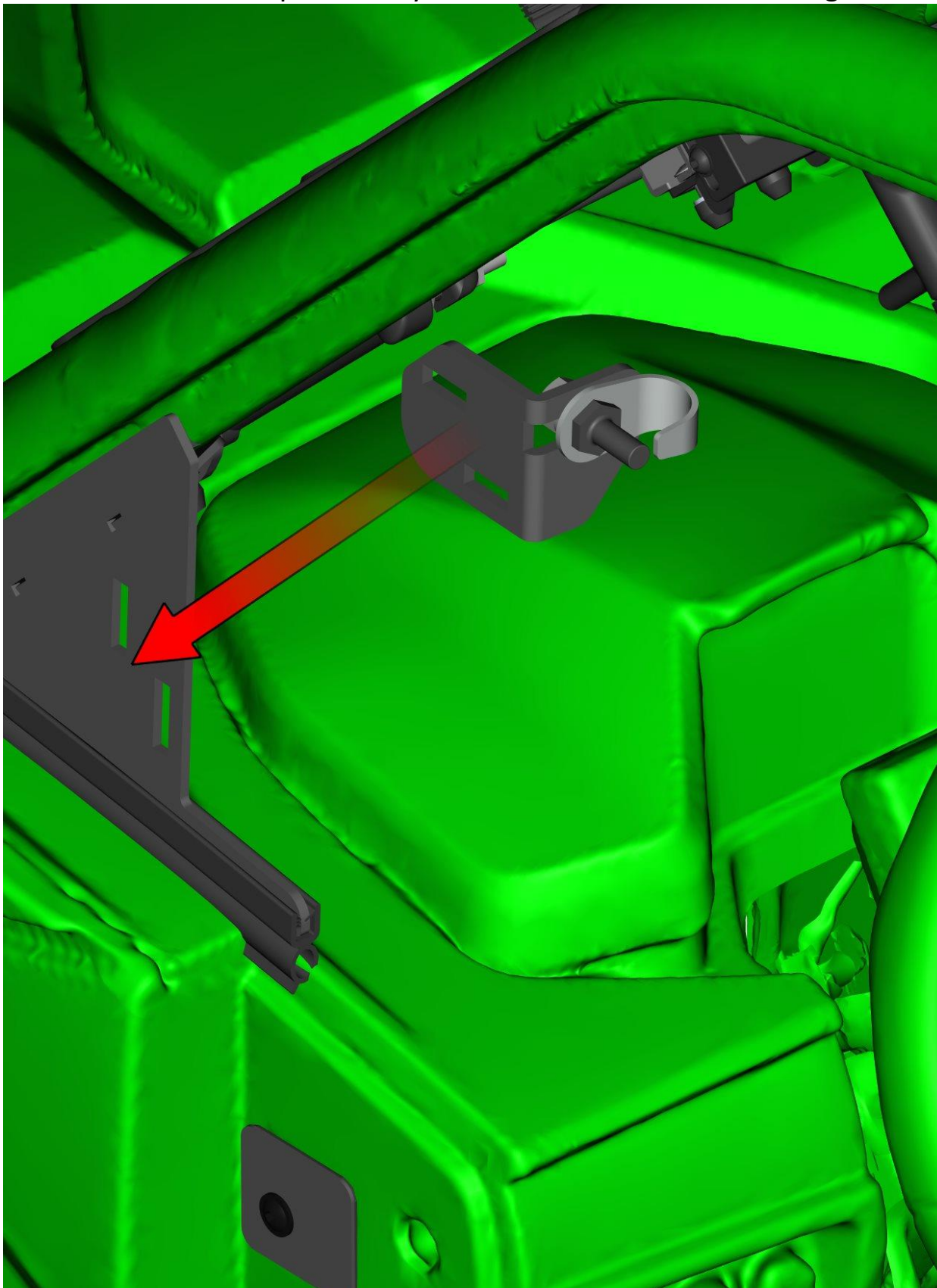
66

Install the door gas spring onto the gas spring pins.

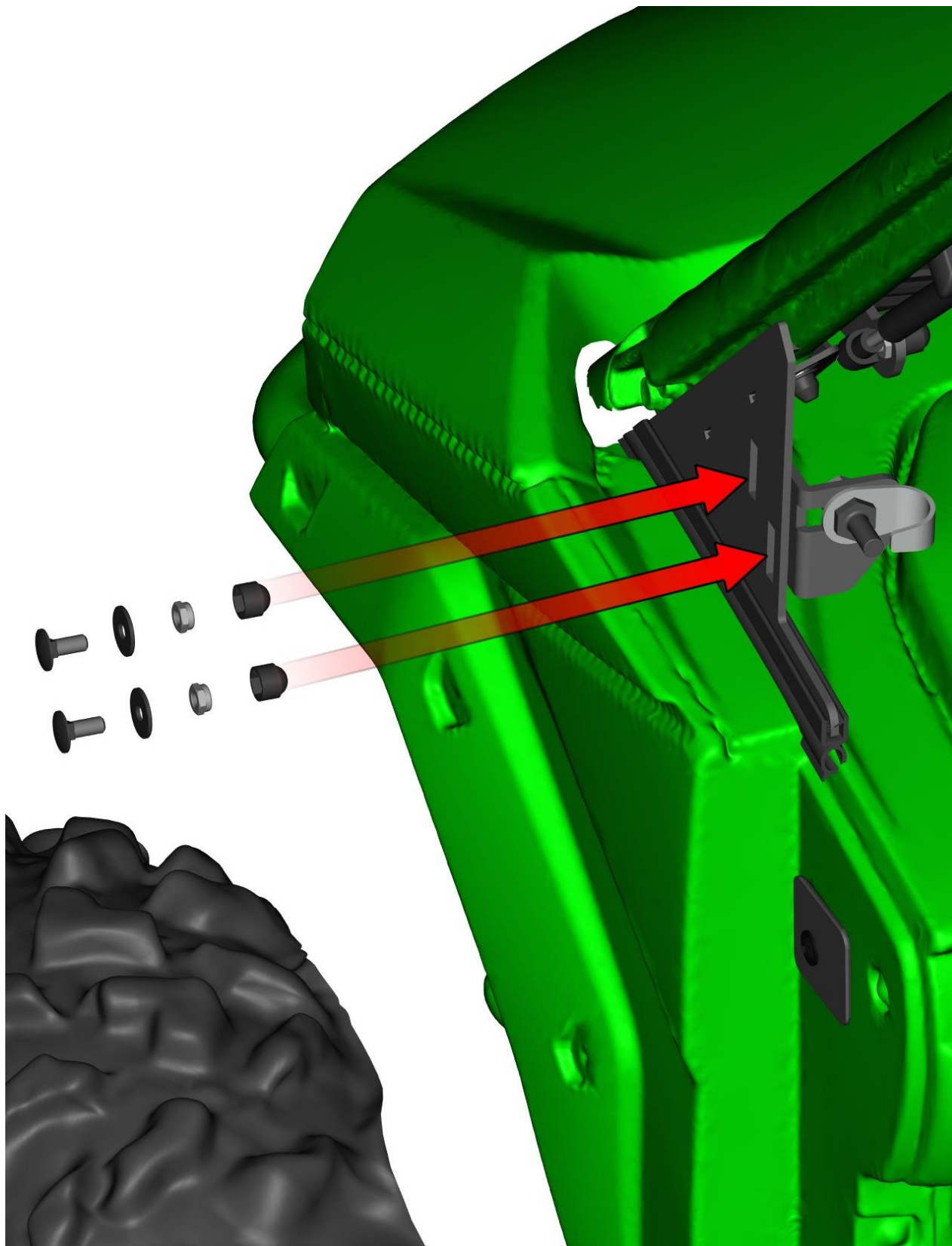


67

Place the left door stop assembly onto the left front bottom ledge holder.

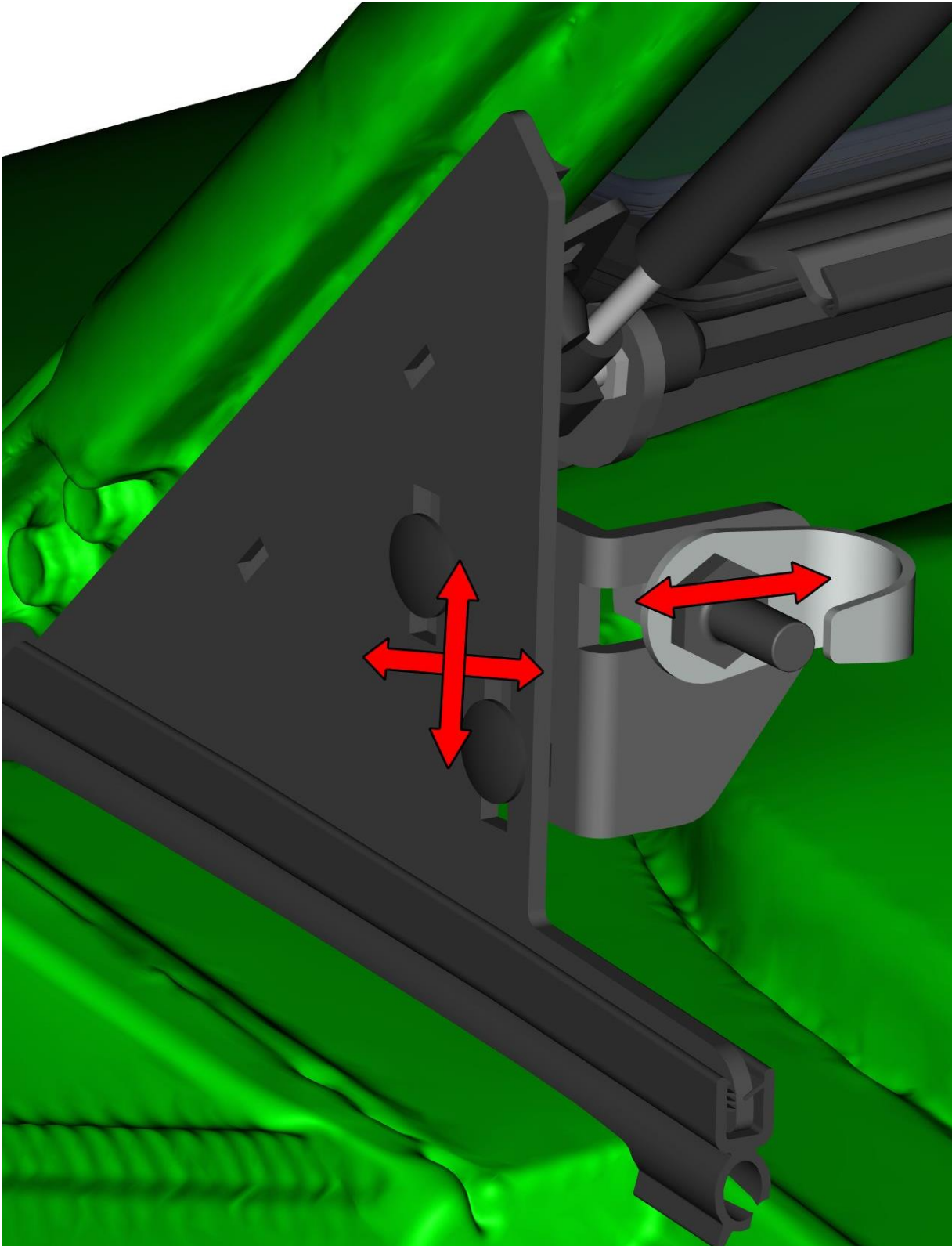


Attach the left door stop assembly with included screws, washers, nuts and covers.

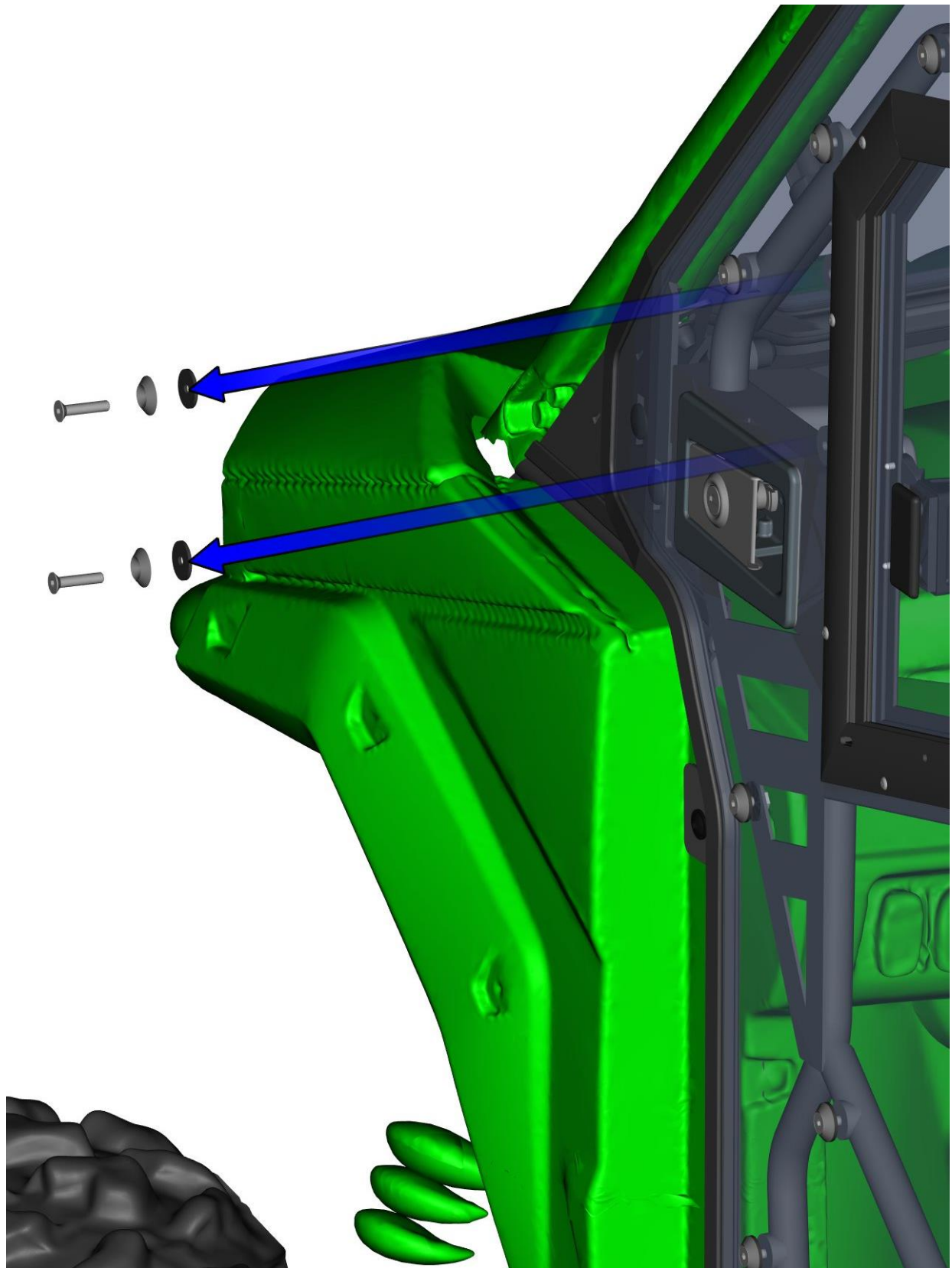


69

Adjust the door stop holder and door stop to the best position with the door. **If you have adjusted the door stop correctly, when you close the door, you will hear 2 clear metallic clicks.**

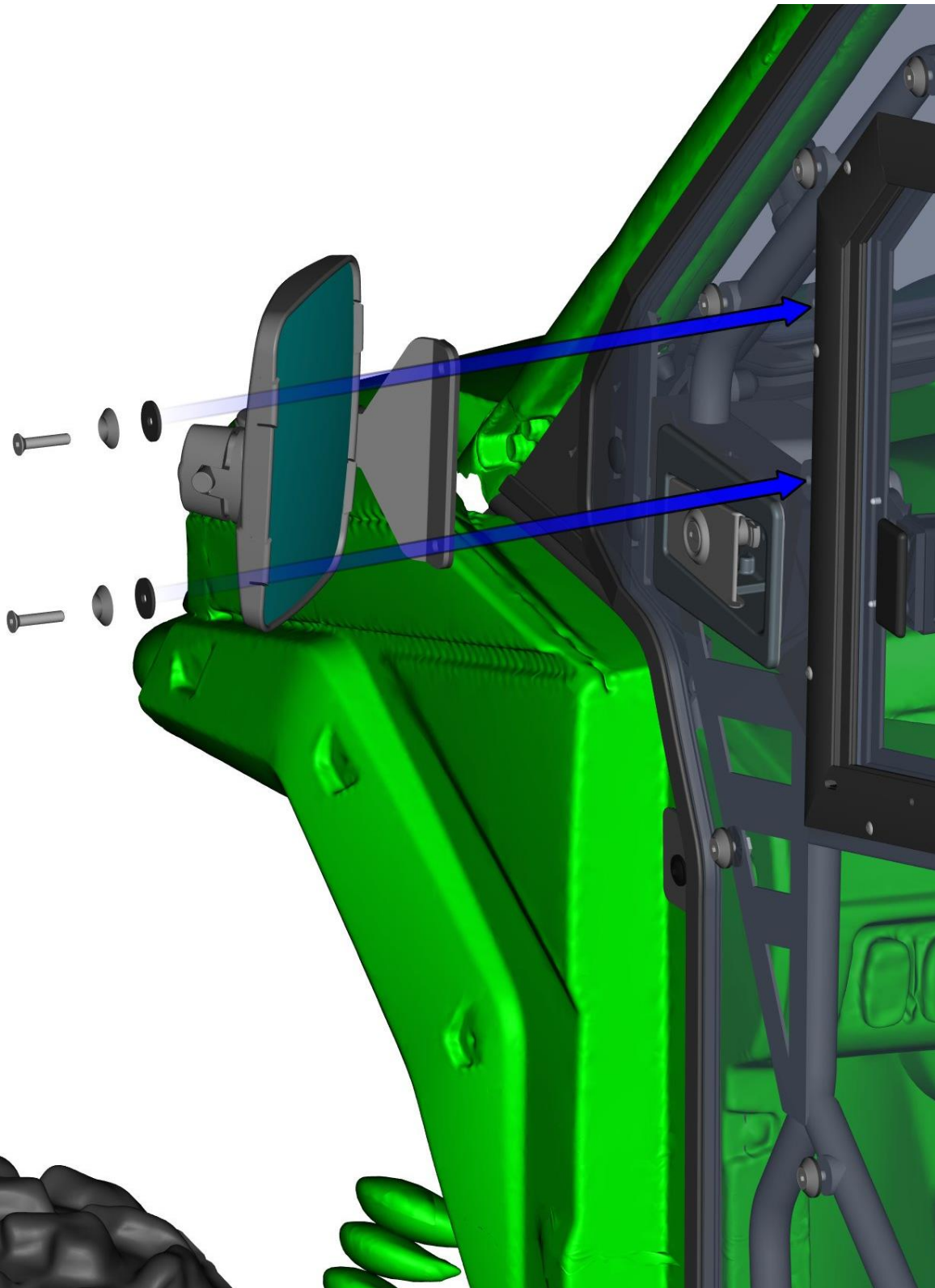


Remove two screws and washers from the frame fixing assemblies next to the window frame.



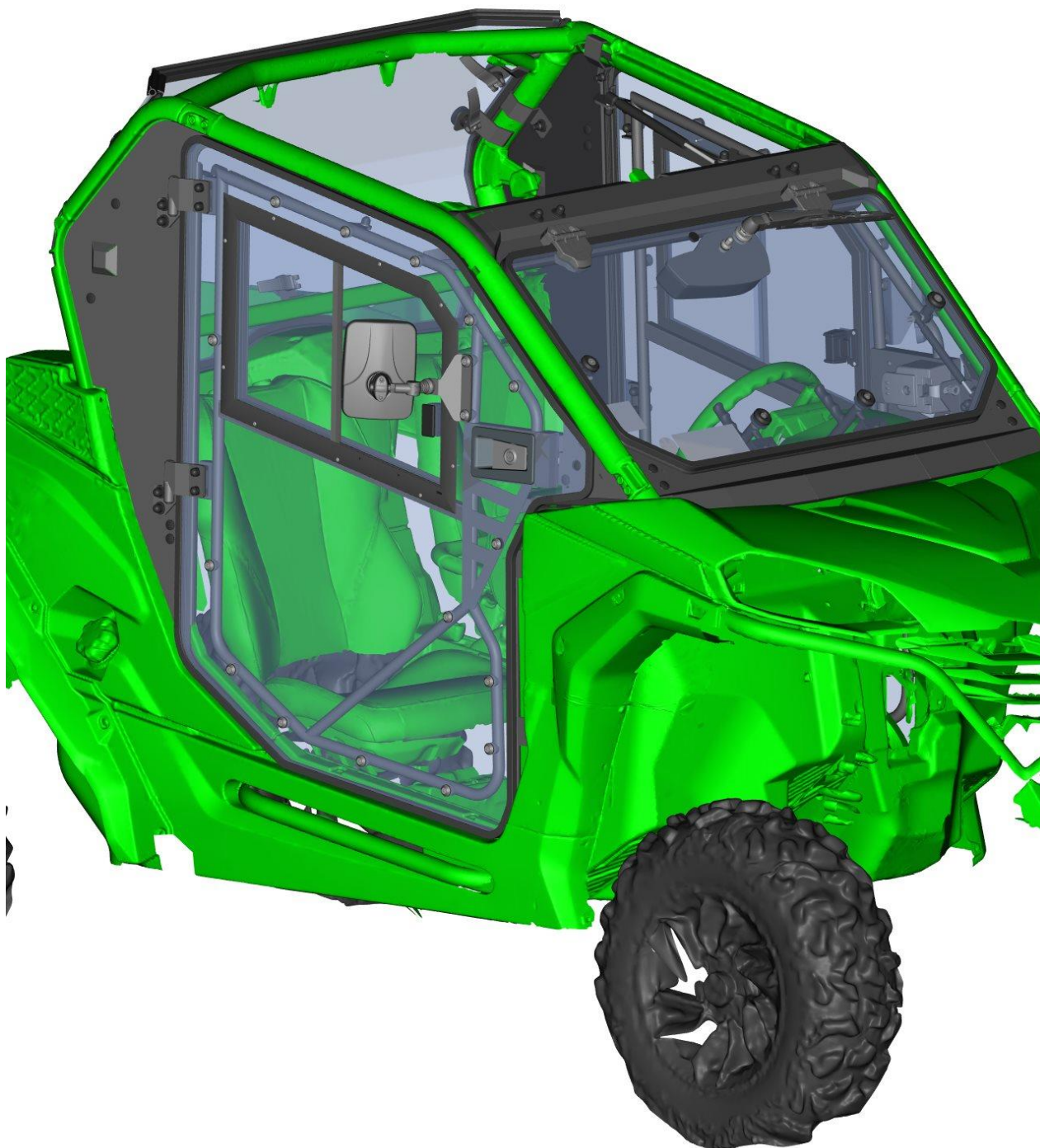
71

Place the left rear view mirror onto the door polycarbonate in accordance with saddle washers. Fix the rear view mirror holder with included fixing assemblies.



72

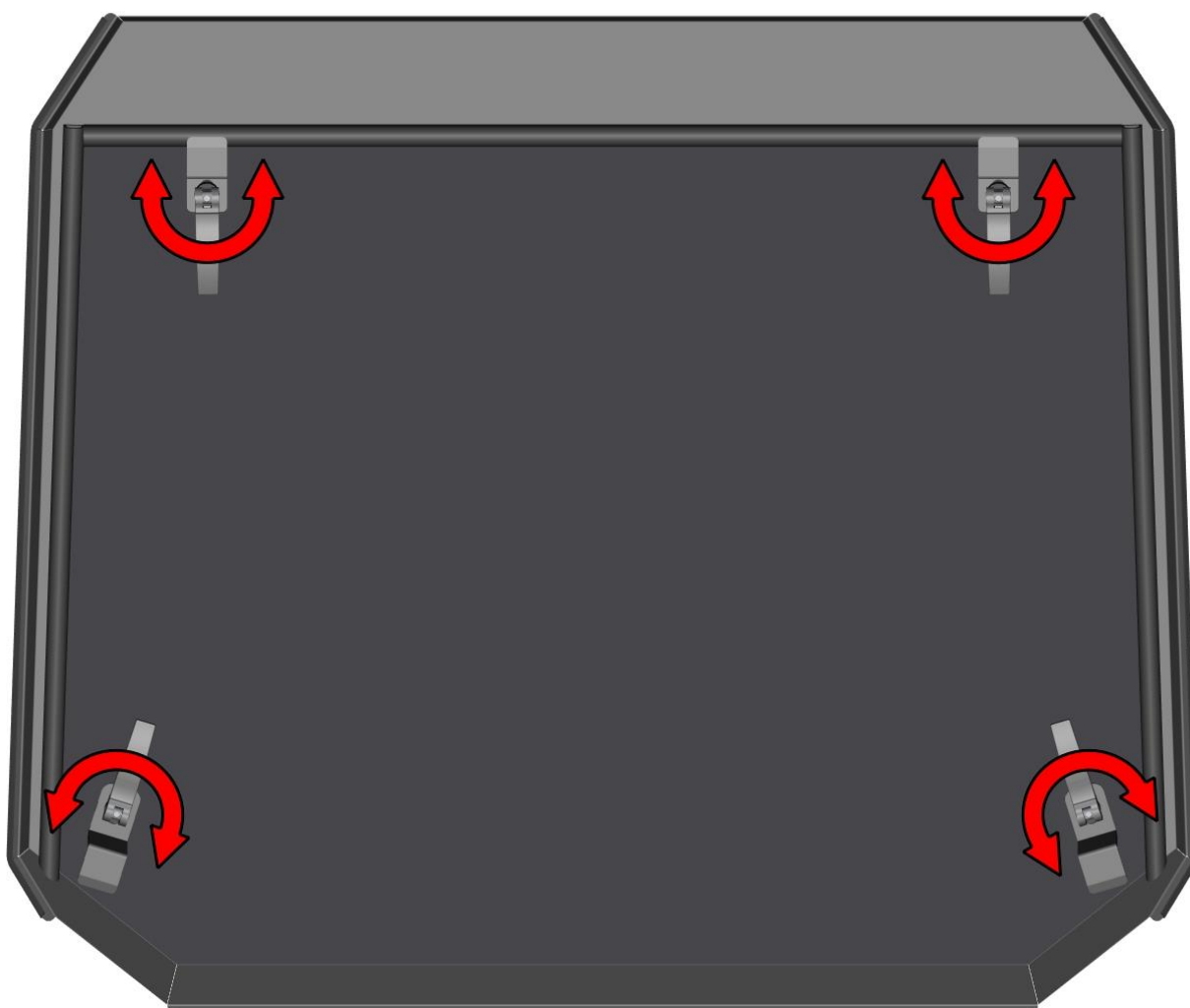
Repeat the previous steps with the right door assembly.



73

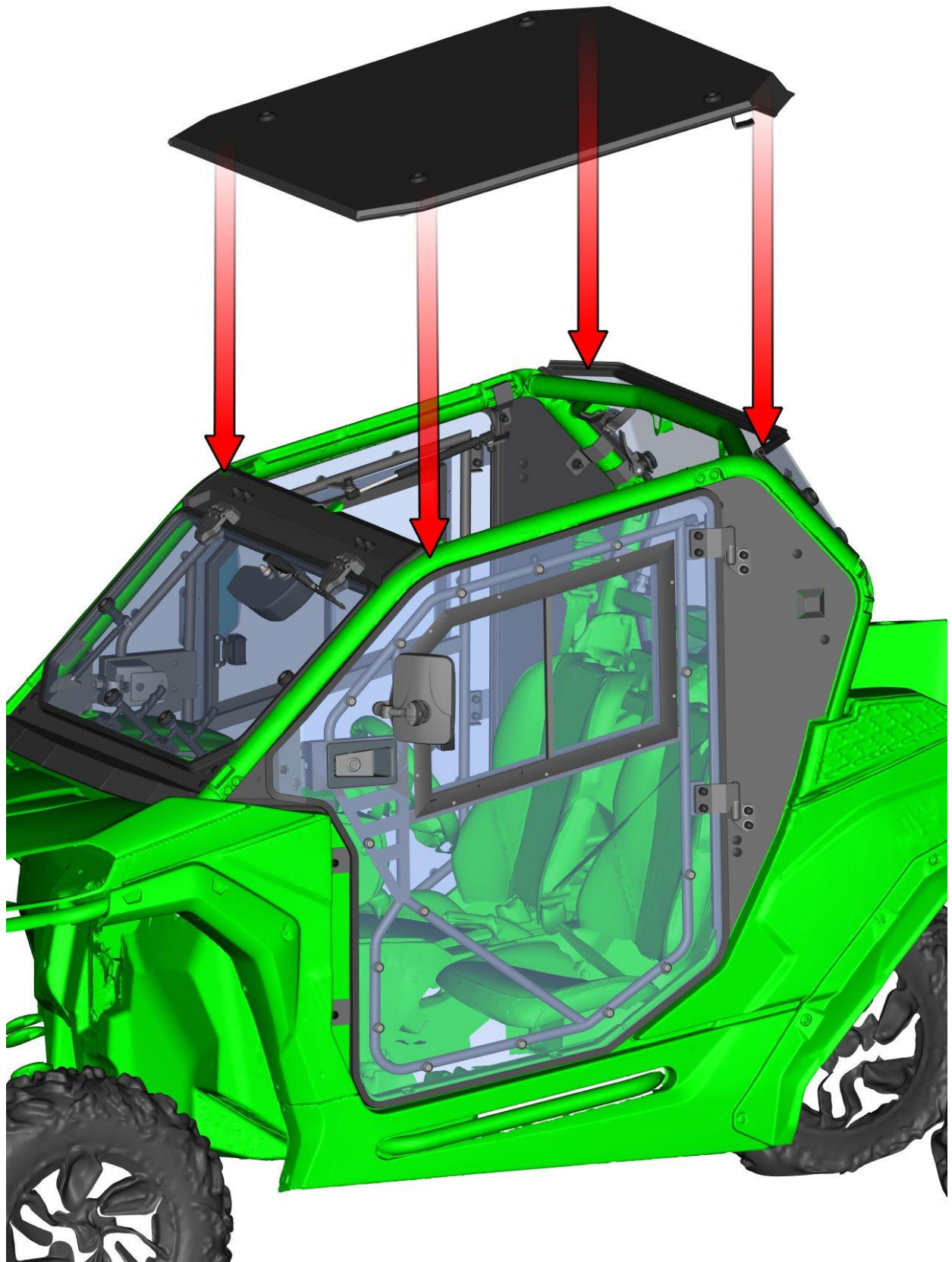
ROOF

Loosen the clamping levers and turn the roof panel holders to the neutral position.



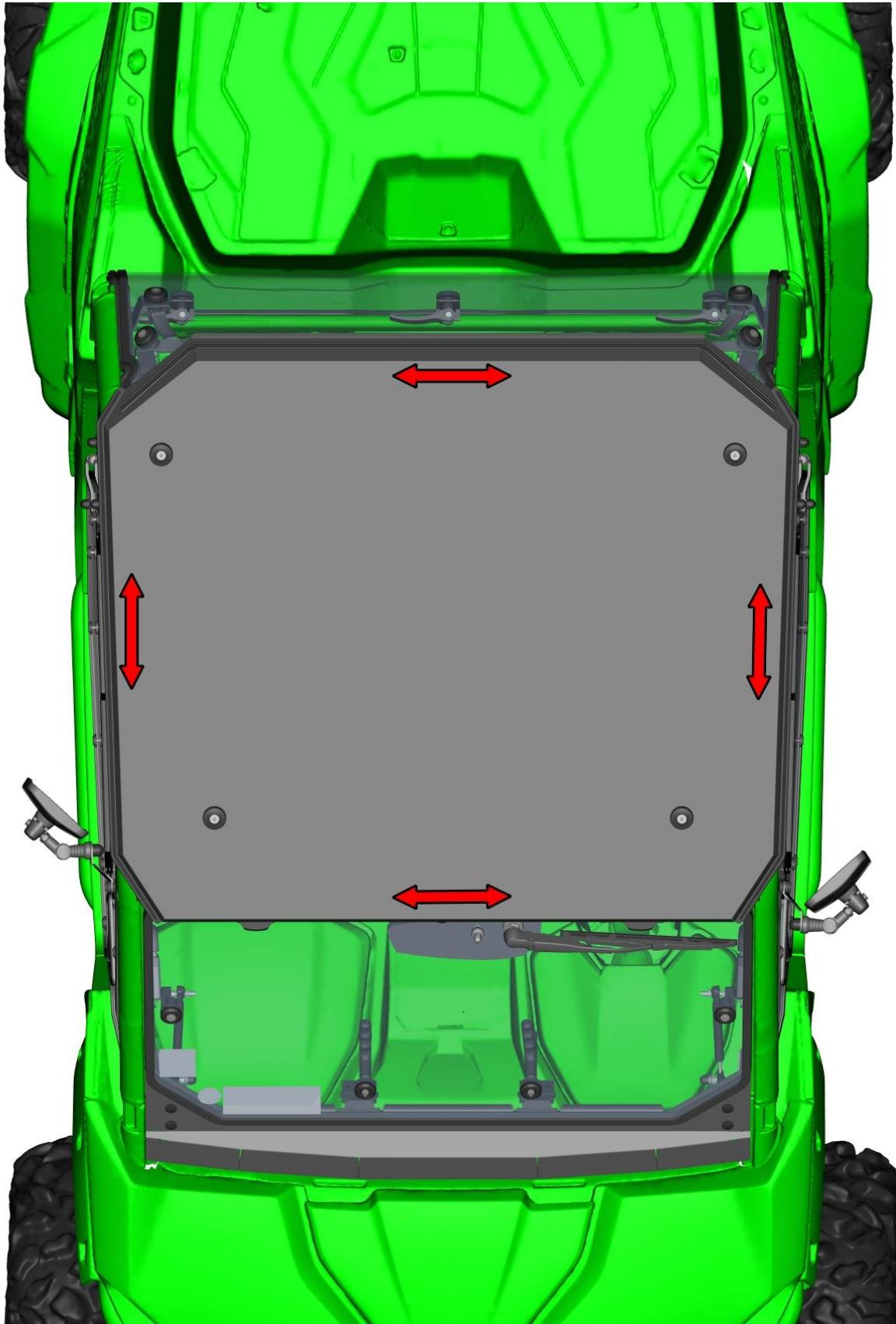
74

Place the roof panel onto the UTV roll cage.



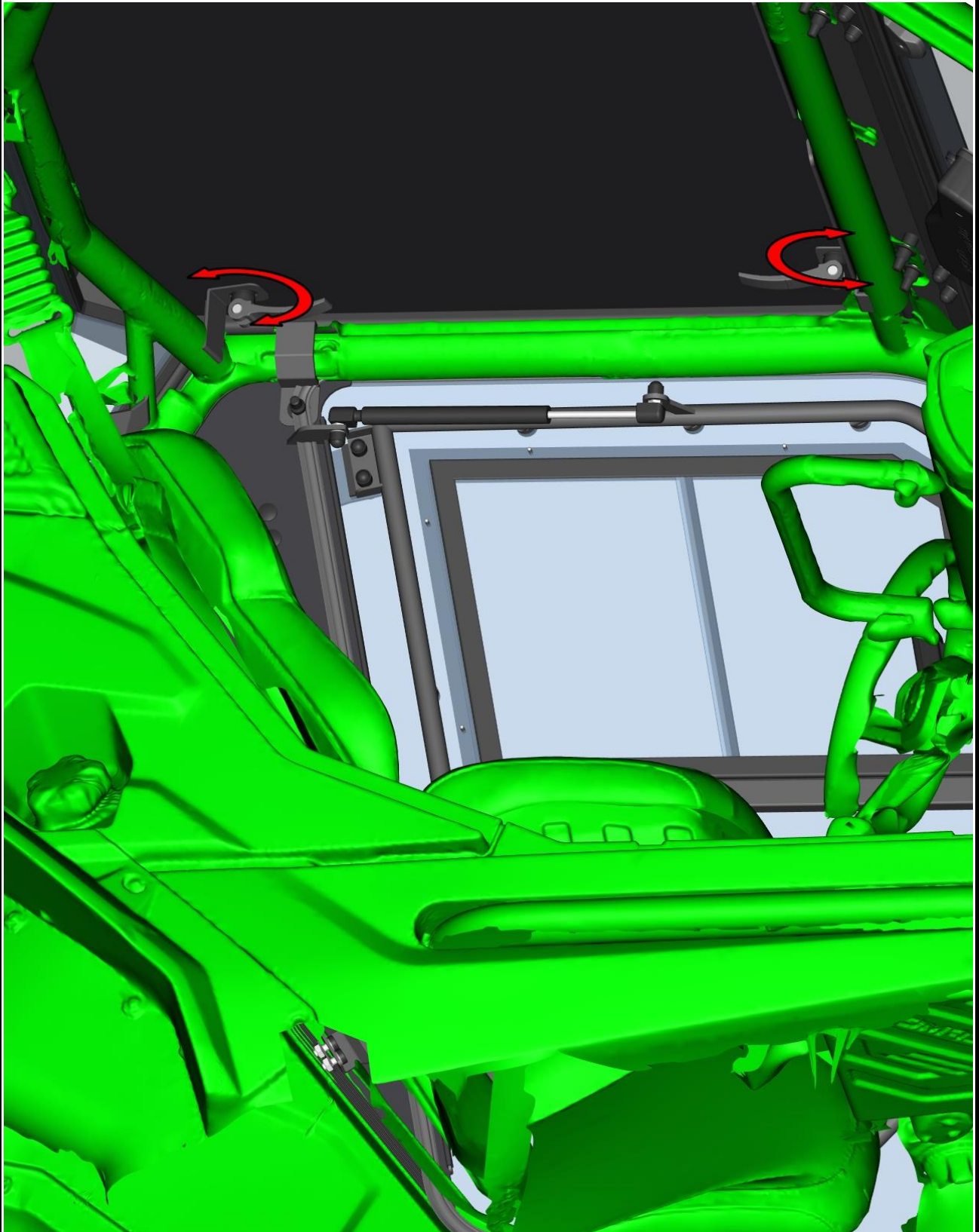
75

Adjust the roof panel to the best position.



76

Turn the roof panel holders to the correct position and tighten the clamping levers on both sides.



77

BOLT TORQUE

BOLT TORQUE SPECIFICATIONS

GENERAL TORQUE SPECIFICATION TABLE

Use the following torques when special torques are not given. These values apply to fasteners as received from suppliers, dry, or when lubricated with normal engine oil. They do not apply if special graphited or moly disulphide greases or other extreme pressure lubricants are used. This applies to both UNF and UNC threads. Remember to always use grade five or better when replacing bolts.

IMPORTANT: On all PLATED GRADE 8 bolts, reduce torque 15% from listed bolt torque specification.

| SAE Grade No. | | 2 | | | | 5 | | | | 8* | | | |
|--|-------------|-------------|------|---------------|------|-------------|------|---------------|------|-------------|------|---------------|------|
| Bolt head identification mark as per grade. NOTE: Manufacturing Marks Will Vary | | | | | | | | | | | | | |
| | | TORQUE | | TORQUE | | TORQUE | | TORQUE | | TORQUE | | TORQUE | |
| Bolt Size | | Pounds Feet | | Newton-Meters | | Pounds Feet | | Newton-Meters | | Pounds Feet | | Newton-Meters | |
| Inches | Millimeters | Min. | Max. | Min. | Max. | Min. | Max. | Min. | Max. | Min. | Max. | Min. | Max. |
| 1/4 | 6.35 | 5 | 6 | 7 | 8 | 9 | 11 | 12 | 15 | 12 | 15 | 16 | 20 |
| 5/16 | 7.94 | 10 | 12 | 14 | 16 | 17 | 20.5 | 23 | 28 | 24 | 29 | 33 | 39 |
| 3/8 | 9.53 | 20 | 23 | 27 | 31 | 35 | 42 | 48 | 57 | 45 | 54 | 61 | 73 |
| 7/16 | 11.11 | 30 | 35 | 41 | 47 | 54 | 64 | 73 | 87 | 70 | 84 | 95 | 114 |
| 1/2 | 12.70 | 45 | 52 | 61 | 70 | 80 | 96 | 109 | 130 | 110 | 132 | 149 | 179 |
| 9/16 | 14.29 | 65 | 75 | 88 | 102 | 110 | 132 | 149 | 179 | 160 | 192 | 217 | 260 |
| 5/8 | 15.88 | 95 | 105 | 129 | 142 | 150 | 180 | 203 | 244 | 220 | 264 | 298 | 358 |
| 3/4 | 19.05 | 150 | 185 | 203 | 251 | 270 | 324 | 366 | 439 | 380 | 456 | 515 | 618 |
| 7/8 | 22.23 | 160 | 200 | 217 | 271 | 400 | 480 | 542 | 651 | 600 | 720 | 814 | 976 |
| 1 | 25.40 | 250 | 300 | 339 | 406 | 580 | 696 | 787 | 944 | 900 | 1080 | 1220 | 1464 |
| 1-1/8 | 25.58 | - | - | - | - | 800 | 880 | 1085 | 1193 | 1280 | 1440 | 1736 | 1953 |
| 1-1/4 | 31.75 | - | - | - | - | 1120 | 1240 | 1519 | 1681 | 1820 | 2000 | 2468 | 2712 |
| 1-3/8 | 34.93 | - | - | - | - | 1460 | 1680 | 1980 | 2278 | 2380 | 2720 | 3227 | 3688 |
| 1-1/2 | 38.10 | - | - | - | - | 1940 | 2200 | 2631 | 2983 | 3160 | 3560 | 4285 | 4827 |

*Thick Nuts must be used with Grade 8 bolts

METRIC BOLT TORQUE SPECIFICATIONS

| Size of Screw | Property Class | Course Thread | | | Fine Thread | | |
|---------------|----------------|---------------|-------------|---------------|-------------|-------------|---------------|
| | | Pitch (mm) | Pounds Feet | Newton-Meters | Pitch (mm) | Pounds Feet | Newton-Meters |
| M6 | 5.6 | 1.0 | 3.6-5.8 | 4.9-7.9 | - | - | - |
| | 8.8 | | 5.8-9.4 | 7.9-12.7 | | - | - |
| | 10.9 | | 7.2-10 | 9.8-13.6 | | - | - |
| M8 | 5.6 | 1.25 | 7.2-14 | 9.8-19 | 1.0 | 12-17 | 16.3-23 |
| | 8.8 | | 17-22 | 23-29.8 | | 19-27 | 25.7-36.6 |
| | 10.9 | | 20-26 | 27.1-35.2 | | 22-31 | 29.8-42 |
| M10 | 5.6 | 1.5 | 20-25 | 27.1-33.9 | 1.25 | 20-29 | 27.1-39.3 |
| | 8.8 | | 34-40 | 46.1-54.2 | | 35-47 | 47.4-63.7 |
| | 10.9 | | 38-46 | 51.5-62.3 | | 40-52 | 54.2-70.5 |
| M12 | 5.6 | 1.75 | 28-34 | 37.9-46.1 | 1.25 | 31-41 | 42-55.6 |
| | 8.8 | | 51-59 | 69.1-79.9 | | 55-68 | 75.9-92.1 |
| | 10.9 | | 57-66 | 77.2-89.4 | | 62-75 | 84-101.6 |
| M14 | 5.6 | 2.0 | 49-56 | 66.4-75.9 | 1.5 | 52-64 | 70.5-86.7 |
| | 8.8 | | 81-93 | 109.8-126 | | 90-106 | 122-143.6 |
| | 10.9 | | 96-109 | 130.1-147.7 | | 107-124 | 145-168 |
| M16 | 5.6 | 2.0 | 67-77 | 90.8-104.3 | 1.5 | 69-83 | 93.6-112.5 |
| | 8.8 | | 116-130 | 157.2-176.2 | | 120-138 | 162.6-187 |
| | 10.9 | | 129-145 | 174.8-196.5 | | 140-158 | 189.7-214.1 |
| M18 | 5.6 | 2.0 | 88-100 | 119.2-136 | 1.5 | 100-117 | 136-158.5 |
| | 8.8 | | 150-168 | 203.3-227.6 | | 177-199 | 239.8-269.6 |
| | 10.9 | | 175-194 | 237.1-262.9 | | 202-231 | 273.7-313 |
| M20 | 5.6 | 2.5 | 108-130 | 146.3-176.2 | 1.5 | 132-150 | 178.9-203.3 |
| | 8.8 | | 186-205 | 252-277.8 | | 206-242 | 279.1-327.9 |
| | 10.9 | | 213-249 | 288.6-337.4 | | 246-289 | 333.3-391.6 |



Declaration of Conformity



DFK Cab, s.r.o.

Za Olšávkou 391

686 01 Uherské Hradiště

Česká republika / Czech Republic